

APPLICATION:

For safe use in potentially explosive environments in zones 1, 2, 21 and 22 (gas and dust).

This Lumistar variant impresses with its versatility:

- as a vehicle luminaire
- for the optimal illumination of closed vessels, boilers, tanks, silos, agitators and reactors.
- in combination with flow sight glasses

For use with circular sight glass fittings to DIN 28120/DIN 28121 or similar, with screw-type sight glass fittings in compliance with DIN 11851, and in visual flow indicators.

Trend-setting LED technology guarantees even lower energy consumption, longer service life and flexible light colour.

PROTECTION:

IP 65 and IP 67 to DIN EN 60529

AMBIENT TEMPERATURES:

-20°C to 50°C

TECHNICAL DATA EX PROTECTION:

Approval according to Directive 2014/34/EU

This luminaire meets the essential safety and health requirements by complying with the regulations for:

| Gas | |
|-------------------------------|----------------------------|
| EN IEC 60079-0:2018 | General Requirements |
| EN 60079-1:2014 | Flame-proof Enclosures „d“ |
| EN IEC 60079-7:2015 + A1:2018 | Increased Safety „e“ |
| Explosion group | IIC (includes IIA and IIB) |
| Temperature class | T6 |

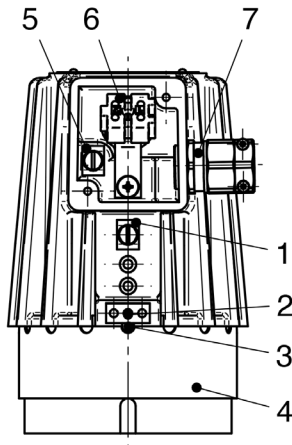
| Dust | |
|---------------------|-------------------------------|
| EN IEC 60079-0:2018 | General Requirements |
| EN 60079-31:2014 | Protection by Enclosures „t“ |
| Explosion group | IIIC (includes IIIA and IIIB) |
| Temperature class | T80° |

EU-Type Examination Certificate:
BVS 08 ATEX E 135

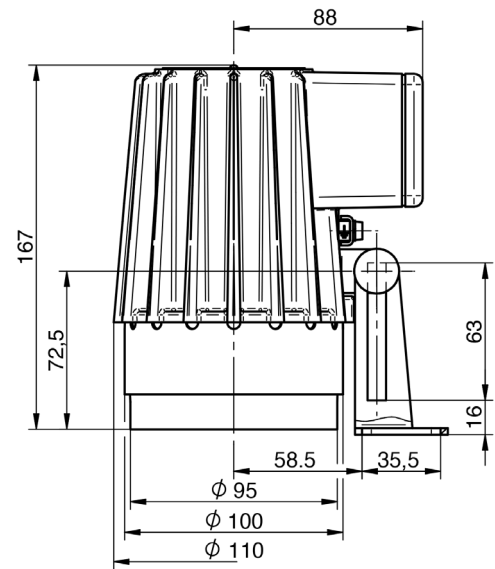
II 2G Ex db eb IIC T6 Gb
 II 2D Ex tb IIIC T80°C Db

| Voltage | Nominal power | Nominal luminous flux | Light colour* | Beam angle | Addition | Part no. |
|--------------|---------------|----------------------------|-------------------|------------|------------------------|-------------|
| 12 V/24 V DC | 9 W | 450-500 lm | 6500 K cold white | 12° | | 3542.230.00 |
| 12 V/24 V DC | 9 W | 450-500 lm | 6500 K cold white | 25° | | 3542.231.00 |
| 12 V/24 V DC | 9 W | 450-500 lm | 6500 K cold white | 38° | | 3542.232.00 |
| 12 V/24 V DC | 9 W | 450-500 lm | 6500 K cold white | 12° | including sealing plug | 3542.233.00 |
| 24 V AC/DC | 14 W | 450-500 lm | 6500 K cold white | 12° | | 3542.235.00 |
| 24 V AC/DC | 14 W | 450-500 lm | 6500 K cold white | 25° | | 3542.236.00 |
| 24 V AC/DC | 14 W | 450-500 lm | 6500 K cold white | 38° | | 3542.237.00 |
| 220-240 V AC | 7 W | depending on the lamp type | | | socket GU10 | 3542.245.00 |

*other light colours on request



- 1 Protective conductor terminal outside
- 2 Locking screw
- 3 Locking lug
- 4 Screw glass
- 5 Internal protective conductor terminal
- 6 Ex terminals
- 7 Cable gland M20 x 1.5



FIXING:

In the case of a round sightglass fitting and a visual flow indicators, the luminaire is fixed to the cover flange with the mounting bracket. With a screw-in sightglass fitting, the luminaire is fixed on the slotted cover nut, alternatively via a flanged adapter collar or a mounting bracket.

ELECTRICAL CONNECTION:

Cable entry variable (right or left). The unused opening is closed with a sealing plug. Cable lengths: any Cable diameter: 8-15 mm

NOMINAL WIDTHS:

For round sightglasses similar to DIN 28120, DIN 28121 and flow sightglasses, fixing on cover flange: from DN 50.

For screwed sightglasses similar to DIN 11851, fixing on or under the slotted cover nut:
 DN 65, 80, 100: via flanged adapter collar
 DN 80, 100, 125: via mounting bracket
 DN 80, 100: via flanged adapter collar or mounting bracket

WEIGHT:

2.1 kg including connection box

| Materials | |
|--------------------------|-----------------|
| Luminaire body | Aluminium |
| Glass | Borosilicate |
| Mounting parts | Stainless steel |
| Flat gasket terminal box | Viton |

| Additional equipment | Part no. |
|--|-------------|
| Luminaire fixing mounting bracket, stainless steel | 0354.016.00 |
| Luminaire fixing flanged adapter collar, stainless steel | 1356.015.00 |
| LED lens 12° | 3511.008.00 |
| LED lens 25° | 3511.009.00 |
| LED lens 38° | 3511.010.00 |
| Assembly spanner for screwed sight glass | 6805.001.00 |

Order specifications (example):

Part no. 3542.232.00: Lumistar luminaire USL 06LED Ex,

12 V/24 V DC, 9 W, beam angle 38°

Part no. 1356.015.00: Luminaire flanged adapter collar