

High impact cleaner IntenseClean Series 5TM

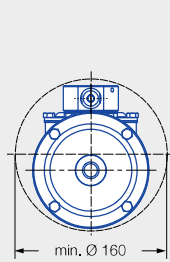


Features:

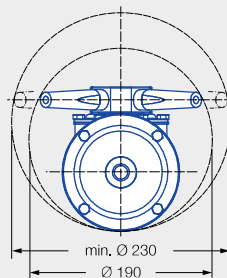
- Very robust design
- High degree of effectiveness due to particularly powerful solid stream nozzles
- High level of efficiency due to gear-controlled rotation
- Proven in the petrochemical industry



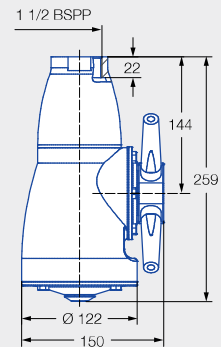
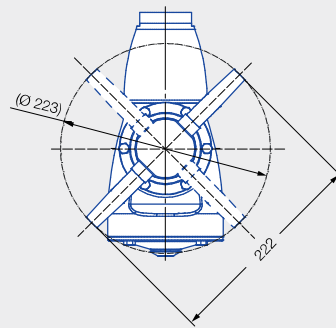
Series 5TM



5TM.2xx.1Y.AS
(2 nozzles)



5TM.4xx.1Y.AS
(4 nozzles)



Female thread

Max. tank diameter [m]	0	3	6	9	12	15	18	21	24	27
-------------------------------	---	---	---	---	----	----	----	----	----	----

Cleaning efficiency class
5

Max. temperature
95°C

Installation
Operation in every direction is possible

Bearing
Ball bearing

Material
Stainless steel 316L, stainless steel 304, stainless steel 302, PTFE, PEEK

Recommended operating pressure
5 bar

Filtration
Line strainer with a mesh size of 0.2 mm/80 mesh

Rotation monitoring
Sensor compatible, for information: See Page 217

Weight
7.5 kg

Function video
www.lechler.com/intenseclean
Or scan the QR code.



Spray angle	Ordering no. Type	Narrowest free cross section Ø [mm]	Number, Ø Nozzles [mm]	V̇ water [l/min]					Max. tank diameter [m]
				p [bar] (p _{max} = 7 bar)					
				2.0	3.0	5.0	7.0	at 40 psi [US gal/min]	
360° 	5TM.208.1Y.AS	8.0	2 × 8.0	125	153	198	234	39	24.0
	5TM.210.1Y.AS	10.0	2 × 10.0	160	196	253	299	50	24.0
	5TM.406.1Y.AS	6.0	4 × 6.0	140	171	221	261	43	18.0
	5TM.407.1Y.AS	7.0	4 × 7.0	170	208	269	318	53	20.0
	5TM.408.1Y.AS	8.0	4 × 8.0	200	245	316	374	62	22.0
	5TM.410.1Y.AS	10.0	4 × 10.0	260	318	411	486	81	23.0

NPT thread available on request.

The maximum tank diameter applies to the recommended operating pressure and is meant as a recommendation only. The cleaning result is also affected by the type of soiling.