

Rotating cleaning nozzle MicroWhirly Series 566



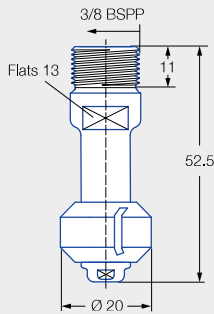
Features:

- Cleaning with effective flat jets
- Robust slide bearing made of PEEK
- Equipped with a thread or slip-on connection
- Food grade compatibility

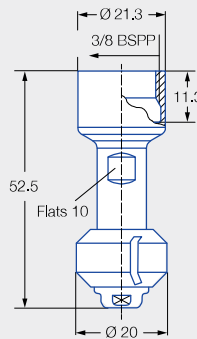


ATEX version available on request

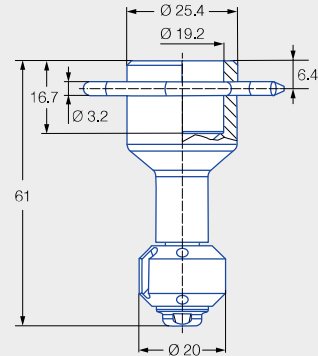
Series 566



Male thread



Female thread



Dimension of the slip-on connection according to ASME-BPE (OD tube)

	Max. tank diameter [m]	0	1	2	3	4	5	6	7	8	9
--	-------------------------------	---	---	---	---	---	---	---	---	---	---

Cleaning efficiency class
2

Max. temperature
130°C

Installation
Operation in every direction is possible

Bearing
Slide bearing made of PEEK


Material
Stainless steel 316L, PEEK

Recommended operating pressure
2 bar

Filtration
Line strainer with a mesh size of 0.3 mm/50 mesh

Function video
www.lechler.com/microwhirly
Or scan the QR code.



Spray angle	Ordering no.				Narrowest free cross section \varnothing [mm]	V̇ water [l/min]				Max. tank diameter [m]
	Type	Code				p [bar] (p _{max} = 6 bar)				
		3/8 BSPP	3/8 BSPP	3/4"-Slip-on connection		1.0	2.0	3.0	at 40 psi [US gal/min]	
180° 	566.873.1Y	AE	AF	TF07	1.0	12	15	18	5	1.6
	566.933.1Y	AE	AF	TF07	2.4	15	21	26	7	1.7
180° 	566.874.1Y	AE	AF	TF07	1.0	12	15	18	5	1.6
	566.934.1Y	AE	AF	TF07	2.4	15	21	26	7	1.7
360° 	566.879.1Y	AE	AF	TF07	1.0	12	15	18	5	1.6
	566.939.1Y	AE	AF	TF07	2.4	15	21	26	7	1.7

NPT thread and weld-on version available on request.

The maximum tank diameter applies to the recommended operating pressure and is meant as a recommendation only. The cleaning result is also affected by the type of soiling.

Compressed air should be used for dry blowing for a short time only. Operation above the recommended operating pressure has a negative impact on the cleaning result and wear.

Information about slip-on connections

- Stainless steel 316L pin supplied.
- Depending on the diameter of the adapter, the flow rate can increase due to a leakage between the adapter and the spray ball.

Ordering Type + Code = Ordering no.
example: 566.873.1Y + AE = 566.873.1Y.AE