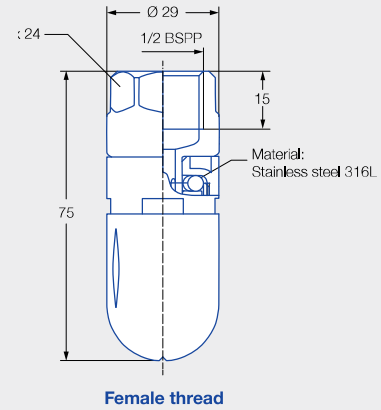


Rotating cleaning nozzle MiniWhirly Series 500.186



Features:

- Economical entry-level model
- Cleaning with effective flat jets
- Specifically designed for barrel and canister cleaning



Series 500,186

Max. tank diameter [m]	0	1	2	3	4	5	6	7	8	9
------------------------	---	---	---	---	---	---	---	---	---	---



Cleaning efficiency class
2



Max. temperature
50°C



Installation
Vertically facing downwards



Bearing
Ball bearing made of stainless steel



Material
POM, stainless steel 316L



Recommended operating pressure
2 bar



Filtration
Line strainer with a mesh size of 0.3 mm/50 mesh

Function video
www.lechler.com/miniwhirly
Or scan the QR code.



Spray angle	Ordering no.	Narrowest free cross section Ø [mm]	V̇ water [l/min]				Max. tank diameter [m]
	Type		p [bar] (p _{max} = 5 bar)				
			1.0	2.0	3.0	at 40 psi [US gal/min]	
300° 	500.186.56.AH	1.9	13	18	22	6	1.3

The maximum tank diameter applies to the recommended operating pressure and is meant as a recommendation only. The cleaning result is also affected by the type of soiling.

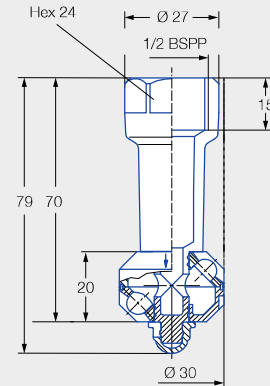
Compressed air should be used for dry blowing for a short time only. Operation above the recommended operating pressure has a negative impact on the cleaning result and wear.

Rotating cleaning nozzle PVDF MicroWhirly Series 500.191



Features:

- Designed for work in a corrosive environment
- Suitable for contact with food and the application of foam
- Very good price-performance ratio
- Made entirely of PVDF



Series 500.191

Female thread

Max. tank diameter [m]	0	1	2	3	4	5	6	7	8	9
------------------------	---	---	---	---	---	---	---	---	---	---



Cleaning efficiency class
2



Max. temperature
90°C



Installation
Operation in every direction is possible



Bearing
Slide bearing made of PVDF



Material
PVDF



Recommended operating pressure
2 bar



Filtration
Line strainer with a mesh size of 0.3 mm/50 mesh

Function video
www.lechler.com/microwhirly
Or scan the QR code.



Spray angle	Ordering no. Type	Narrowest free cross section Ø [mm]	V̇ water [l/min]				Max. tank diameter [m]
			p [bar] (p _{max} = 5 bar)				
			1.0	2.0	3.0	at 40 psi [US gal/min]	
180° 	500.191.5E.02	2.2	9	13	16	4	0.8
180° 	500.191.5E.01	2.2	9	13	16	4	0.8
270° 	500.191.5E.31	2.2	14	20	25	6	1.1
360° 	500.191.5E.00	2.2	14	20	25	6	1.1

The maximum tank diameter applies to the recommended operating pressure and is meant as a recommendation only. The cleaning result is also affected by the type of soiling.

The PVDF MicroWhirly is not suitable for operation with compressed air or any other gas. Operation above the recommended operating pressure has a negative impact on the cleaning result and wear.