

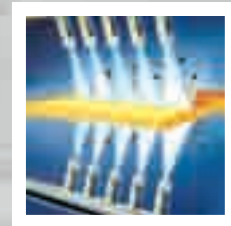
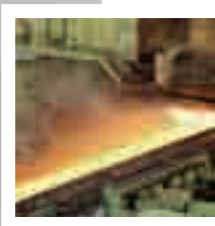
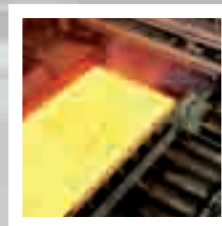
ENGINEERING  
YOUR SPRAY SOLUTION



## Nozzles for Hydromechanical Descaling

**NEW**

- 34° version
- WSV Water Stop Valve Superior
- High Pressure Spray Lab



**SCALEMASTER HPS**<sup>®</sup>  
SUPERIOR

## Lechler has the leading experience

- of being the leading supplier for descaling nozzles to rolling mill builders globally
- of supplying SCALEMASTER nozzles to over 500 rolling mills world wide
- of having re-engineered and optimized more than 200 descaling systems
- of having been the pioneer in descaling in thin slab rolling plants



The unique coreless stabilizer eliminates turbulences.



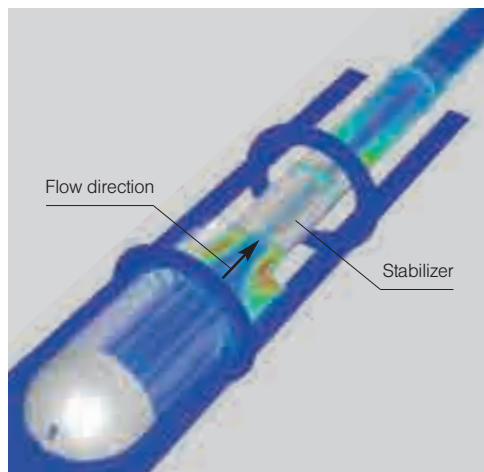
Single part stabilizer – filter unit completely made from stainless steel reduces pressure losses.



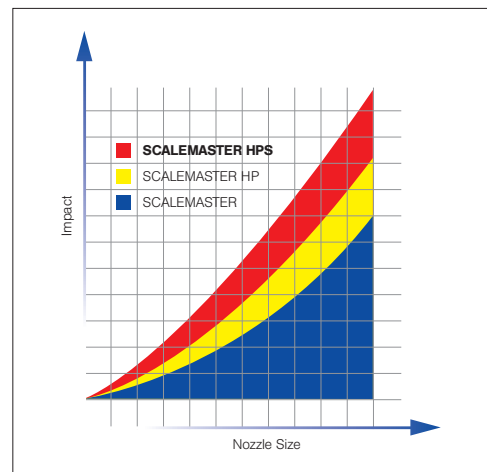
Nozzle tip with tungsten carbide insert.

# ROLLED SURFACE QUALITY AND ENERGY SAVINGS

- **SCALEMASTER HPS** is fully compatible with all other SCALEMASTER nozzles (check overall length). No header modifications necessary.
- Optimized stabilizer design reduces the spray footprint area (A) resulting in a higher impact.
- An increased spray impact can lead to an improvement of the surface quality at no additional energy input.
- A nozzle family providing higher impacts allows the use of a smaller nozzle size so that the impact can be maintained at a lower water flow and reduced energy consumption.



CFD turbulence simulation of the **SCALEMASTER HPS** showing optimal turbulence free inner flow conditions (dark blue area) right to the tip.



Impact evolution of Lechler SCALEMASTER descaling nozzles against nozzle sizes.

## IMPROVE SURFACE QUALITY

**Objectives:** Clear focus on maximizing the spray impact at given system water pressure and flow.

### Analyze

- Check water pressure at header (Lechler Descaling Pressure Gauge)
- Check nozzle types installed
- Check nozzle arrangement (spray overlaps, inclination angle etc.)

**Contact Lechler for bench marking with DESCALE simulation.**



### Change to SCALEMASTER HPS

- Maximize Impact
- Keep water pressure
- Keep nozzle size



### Additional option

- Reduce vertical spray height and increase impact even further

**Contact Lechler for DESCALE simulation and re-engineering of header.**



## SAVE ENERGY

**Objectives:** Clear focus on reducing the descaling water flow.

### Analyze

- Check water pressure at header (Lechler Descaling Pressure Gauge)
- Check nozzle types installed
- Check nozzle arrangement (spray overlaps, inclination angle etc.)

**Contact Lechler for bench marking with DESCALE simulation.**



### Change to SCALEMASTER HPS

- Maintain impact values
- Install smaller nozzle size and reduce water flow
- Keep nozzle size and reduce water pressure



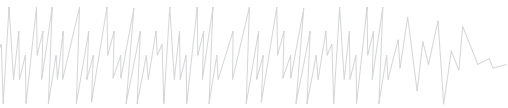
### Additional option

- Reduce vertical spray height allowing to further reduce the water flow

**Contact Lechler for DESCALE simulation and re-engineering of header.**



# NOZZLE DATA



## When a descaling system is being designed the following nozzle performance parameters must be known:

- The water flow rate at a given pressure
- The spray width at a given vertical spray height (this defines the spray angle)
- The spray impact and its distribution across the spray width

The impact (also called impact pressure) is the momentum or force distribution over the spray foot print area.

Therefore the impact can be defined as  $I = F/A$

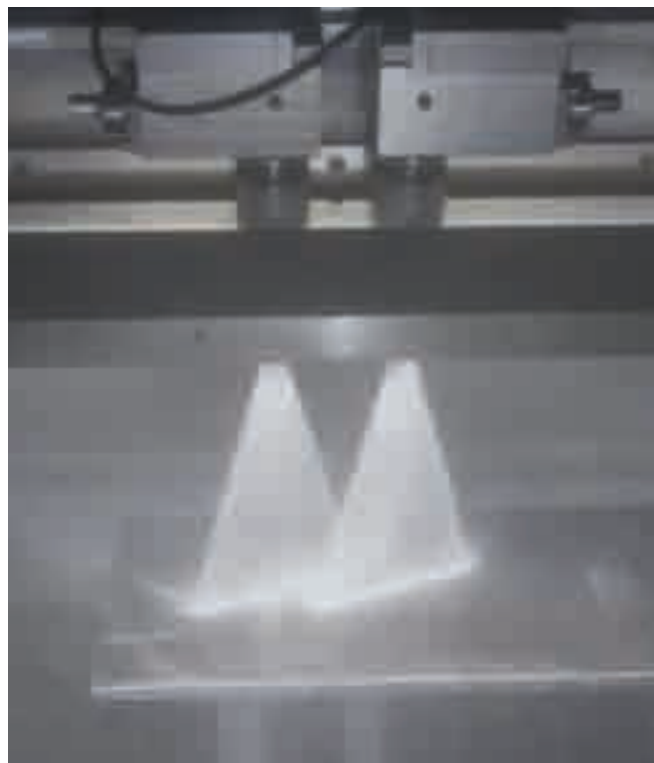
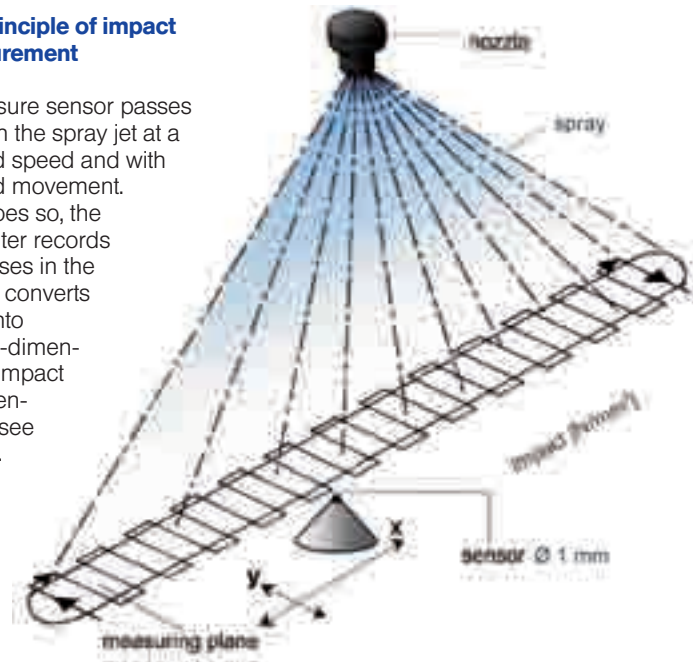
$I = \text{Impact [N/mm}^2\text{]}$   
 $F = \text{Force [N]}$   
 $A = \text{Area [mm}^2\text{]}$

When turbulent free descaling nozzles such as the Lechler **SCALEMASTER HPS** and lower spray heights are being combined, spray foot print thicknesses of only 3 mm become a challenge for the impact measurement facilities. Spray overlaps below 10 mm also require a much higher precision of the spray width data.

Only the new Lechler 3D impact measurement technology utilizing a sensor with only 1.0 mm diameter provides the resolution required for the design of an optimal nozzle arrangement. The impact distribution is measured and documented 3-dimensionally throughout the entire spray in one sensor scan.

## The principle of impact measurement

A pressure sensor passes through the spray jet at a defined speed and with defined movement. As it does so, the computer records the pulses in the jet and converts them into a three-dimensional impact representation (see below).



Impact measurement with twin nozzle arrangement

## Lechler high pressure spray lab

Impact measurements under real installation conditions in terms of nozzle inclination and offset angles can now be performed with the new Lechler high pressure spray lab. Additionally the well proven sensor technology (1 mm diameter) has been integrated into a plate, allowing the measurement of two adjacent sprays. With such a descaling nozzle arrangement Lechler can now investigate the effect on various spray overlap situations in order to fight surface striping especially on rolled plates. Impact measurements up to 500 bars water pressure can be performed.



Lechler high pressure spray lab



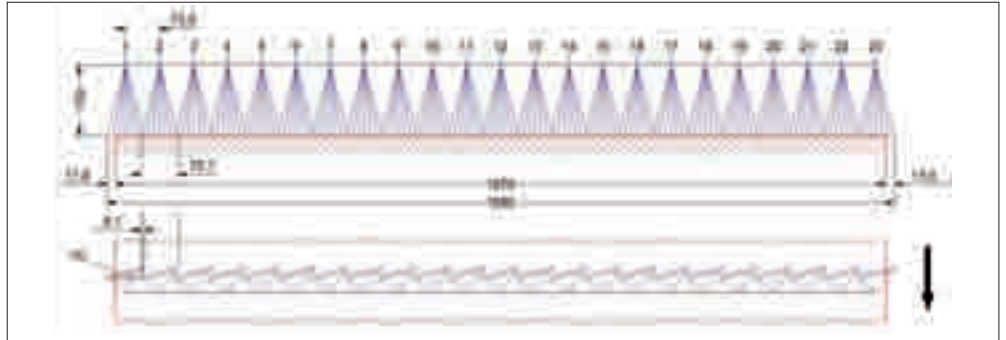
3D measurement protocol, impact measurement



# OPTIMAL NEW NOZZLE ARRANGEMENT DESCALING SYSTEM OPTIMIZATION

## System Study

A descaling system study with the Lechler DESCAL software is a systematic and structured procedure for defining how an existing nozzle and header arrangement performs regarding the surface quality of the rolled product. Since 1992 the Lechler DESCAL software has made crucial contributions towards increasing of surface quality and plant efficiency.



Example of optimization with Lechler DESCAL software.

## The new Lechler DESCAL 7X software

The perfect tool to benchmark the performance parameters of the existing situation and to quickly design a new or optimized nozzle arrangement, no matter if billets, blooms, slabs or strips have to be descaled. For the first time and exclusively from Lechler the DESCAL 7X can generate a nozzle arrangement for round billets and blooms.

## Precise impact data

For the DESCAL 7X all nozzle types of all SCALEMASTER nozzle families have been impact measured with the new 1 mm diameter sensor technology providing Lechler with the most accurate process data on the market.

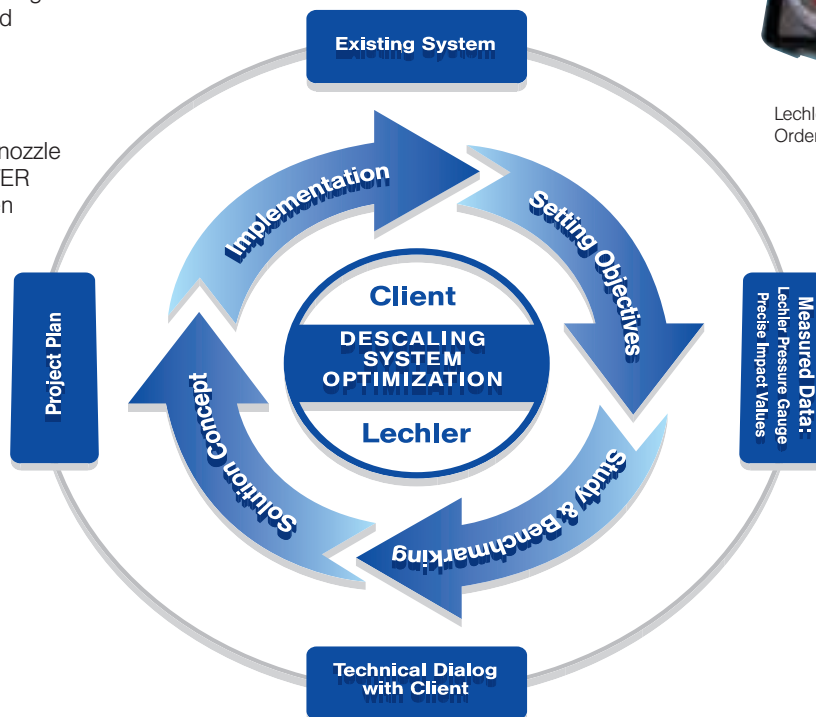
## Lechler Descaling Pressure Gauge for precise pressure data

With the new Lechler DESCALING PRESSURE GAUGE the water pressure can be measured directly at the spray header in front of a descaling nozzle by simply taking one nozzle out and putting the pressure sensor in instead.

With the exact value of the water pressure available at the nozzle a much more accurate simulation of the existing situation and the proposed modification can be made with the Lechler DESCAL software. It is also possible to detect potential pressure losses in the pipe work.



Lechler descaling pressure gauge  
Ordering-no. 06P.M00



# SCALEMASTER HP SUPERIOR®



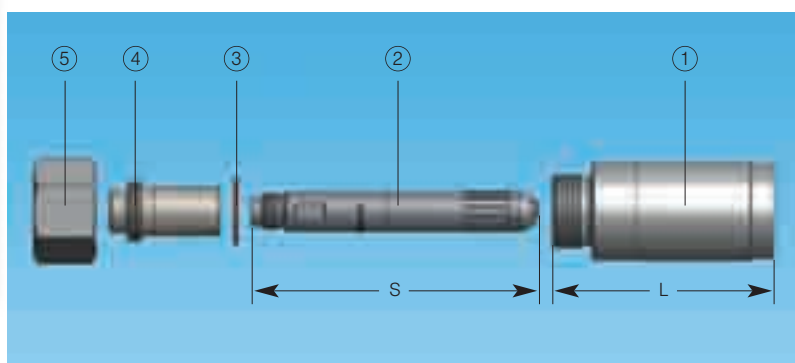
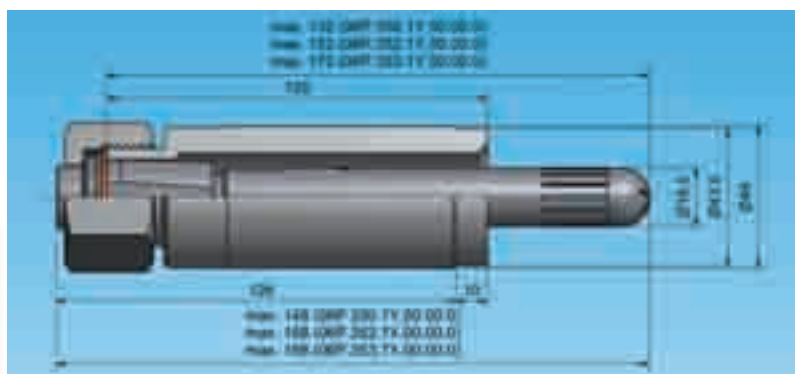
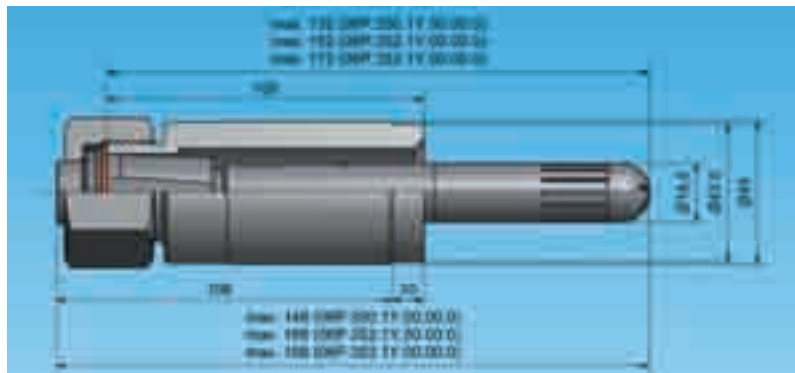
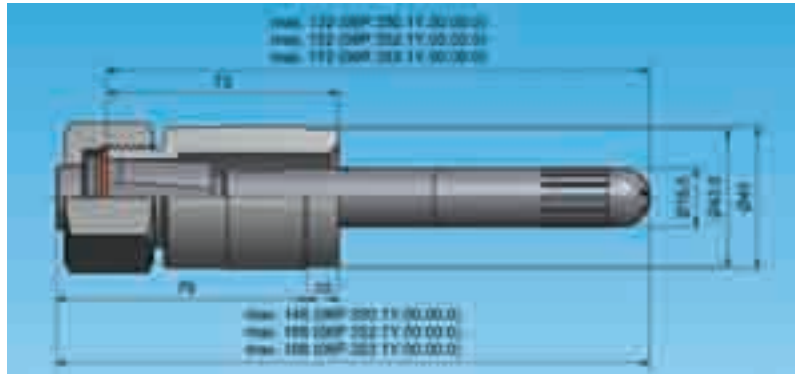
- Improved rolled material surface
- Saves on pump energy
- Splash water quantity reduced

The window design of the new tip in combination with the new stabilizer-filter unit make the **SCALEMASTER HPS** a nozzle for every modern hot rolling mill which offers the following benefits:

The **SCALEMASTER HPS** is the ideal nozzle for descaling in conventional hot strip mills when the vertical spray height is not below 150 mm.

The proven SCALEMASTER HP tungsten carbide insert geometry combined with the new coreless stabilizer and the optimized filter design form the next step in the evolution of the SCALEMASTER family of descaling nozzles.

- Remarkable increase of impact for better descaling
- Better product surface quality due to higher impact
- Reduction of descaling water flow rate possible
- Potential of energy savings due to reduced slab/strip cooling
- More durable tip with high mechanical strength due to window design
- Interchangeable with all other SCALEMASTER nozzles (check overall length)



No.	Component		Order no.	Weight
1	Welding nipple Material: AISI 304	Length: L = 73 mm	069.410.1C.73	0.490 kg
		L = 100 mm	069.410.1C.00	0.710 kg
		L = 120 mm	069.411.1C.00	0.830 kg
		Other length on request.		
2	Filter stabilizer unit Material: Stainless steel	with filter S = 110 mm	06P.350.1Y.00.00.0	0.100 kg
		with filter S = 130 mm	06P.352.1Y.00.00.0	0.130 kg
		with filter S = 150 mm	06P.353.1Y.00.00.0	0.155 kg
3	Gasket Material: Copper		095.015.34.04.02.0	0.005 kg
4	Nozzle tip		6P4.XXX.XX see order table	0.140 kg
5	Nut (standard) Material: AISI 430 F	Hex 41 Max. torque 250 Nm	069.400.11	0.150 kg

Max. permissible operating pressure: 450 bar

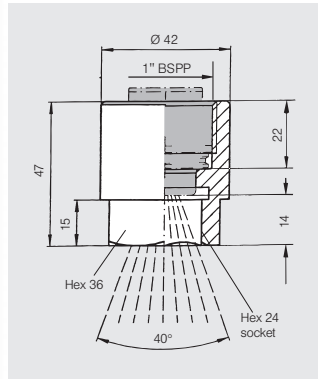
# NOZZLE DATA

## CORRECT NOZZLE ARRANGEMENT

Order No. for nozzle tip							Material code	A ø [mm]	Water flow rate (V̇)							
Series	Type					p = 100 bar (1450 psi)			p = 200 bar (2900 psi)	p = 400 bar (5800 psi)	p = 100 bar		p = 200 bar		p = 400 bar	
	Nominal spray angle										[l/min]	[US Gall./min]	[l/min]	[US Gall./min]	[l/min]	[US Gall./min]
	22°	26°	30°	34°	40°						[l/min]	[US Gall./min]	[l/min]	[US Gall./min]	[l/min]	[US Gall./min]
6P4	495	496	497	491	498	27	1.50	12.00	3.17	16.97	4.50	24.00	6.34			
6P4	535	536	537	531	538	27	1.75	15.00	3.96	21.21	5.60	30.00	7.92			
6P4	565	566	567	561	568	27	2.00	18.00	4.76	25.46	6.73	36.00	9.52			
6P4	605	606	607	601	608	27	2.10	23.00	6.08	32.53	8.59	46.00	12.16			
6P4	645	646	647	641	648	27	2.50	28.00	7.40	39.60	10.46	56.00	14.80			
6P4	685	686	687	681	688	27	2.80	36.00	9.51	50.91	13.45	72.00	19.02			
6P4	725	726	727	721	728	27	3.00	45.00	11.89	63.64	16.81	90.00	23.78			
6P4	765	766	767	761	768	27	3.50	58.00	15.32	82.02	21.67	116.00	30.64			
6P4	805	806	807	801	808	27	3.80	72.00	19.02	101.82	26.90	144.00	38.04			
6P4	845	846	847	841	848	27	4.30	89.00	23.51	125.87	33.25	178.00	47.02			
6P4	885	886	887	881	888	27	4.70	112.00	29.59	158.39	41.85	224.00	59.18			
6P4	-	906	907	901	908	27	5.00	125.00	33.03	176.78	46.70	250.00	66.06			
6P4	-	916	917	911	918	27	5.20	134.00	35.40	189.50	50.07	268.00	70.80			

**Flow rate conversion for table**

$$\dot{V}_2 = \sqrt{\frac{p_2}{p_1}} * \dot{V}_1 \text{ [l/min]}$$

$$p_2 = \left(\frac{\dot{V}_2}{\dot{V}_1}\right)^2 * p_1 \text{ [bar]}$$


**Ordering** Series + Code + Mat.-Code = Order no.  
**example:** 6P4 + 495 + 27 = 6P4.495.27

A ø = equivalent bore diameter  
 Material code 27: Stainless steel nozzle tip with tungsten carbide insert

Special nut with hexagon socket for very narrow distances between nozzles  
**Order no.: 069.402.11**

### Nozzle spray positions

- All nozzle jets turned parallel in one direction.
- Nozzle jets, half of them turned outwards in opposite directions. This directs the spray water to both sides (see Fig. 1).

### Nipple installation

So that the correct alignment of the nozzle mouthpiece (15° offset angle to the header's longitudinal axis - see Fig. 1) is guaranteed, the welding nipple on the spray header must be positioned so that its flat inner surfaces are parallel to the header's longitudinal axis. This is best achieved with the alignment aid supplied as an accessory (Fig. 2, Order No. 069.490.01).

To do this, it is inserted into the flat nipple opening. A rule (or similar) can now be used to easily bring the nipple into the correct parallel position where it can be welded in place (see Fig. 3).

### Alignment tip

The installation aid (Fig. 2, Order No. 069.490.01) is also used as a dummy part to shut off nozzle connections or for hydrostatic pressure testing.



Fig. 2: Alignment tip / dummy part

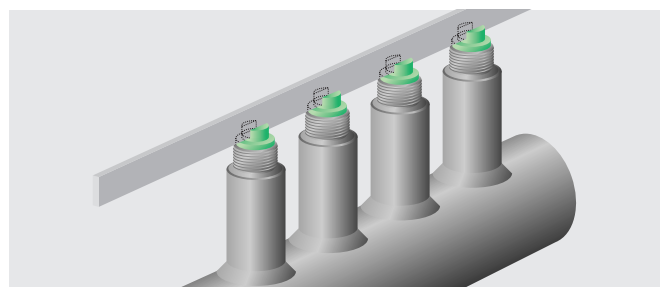
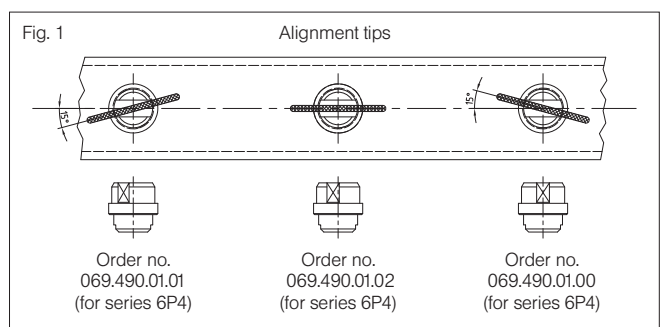


Fig. 3: Installation example for welding nipple

# WSV SUPERIOR WATER STOP VALVE FOR SERIES 6P4



WSV Superior with 6P4 nozzle



WSV Superior without nozzle

During thermomechanical rolling of steel plate and when rolling stainless steel strip, descaling is not performed for every roll pass. Nozzle check valves are used here to prevent undesired surface cooling of the rolling stock caused by the system prefilling water, which would otherwise flow unrestricted through the nozzles.

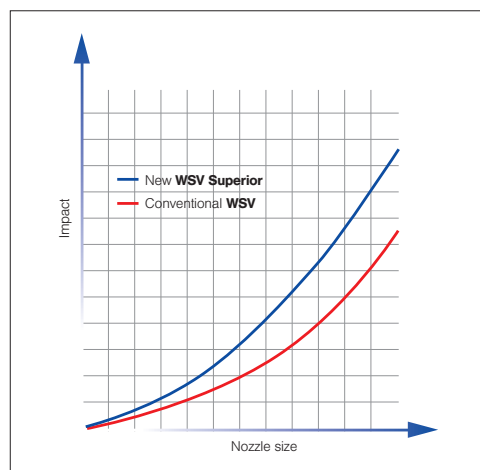
Increasing the impact compared with conventional nozzle check valves was the primary development goal for the **WSV Superior** water stop valve for the SCALEMASTER HPS series.

This was achieved in two stages of turbulence reduction. In the first stage the turbulences created when the water is passing through the valve seat are being calmed down by the

patented needle geometry. As a result of omission of a valve piston, this is followed by a further calming section in the flow guide tube with a large cross section before the water passes the second turbulence reduction stage, the proven jet stabilizer.

In comparison with conventional valves, the piston and coil spring were replaced in the new **WSV Superior** by a precisely preloaded metal bellows, which ensures defined opening and closing pressures and prevents leaks. A flow guide tube prevents dirt deposits on functionally relevant components. The metal and thus wear-resistant seat is maintenance-free and therefore reduces servicing costs.

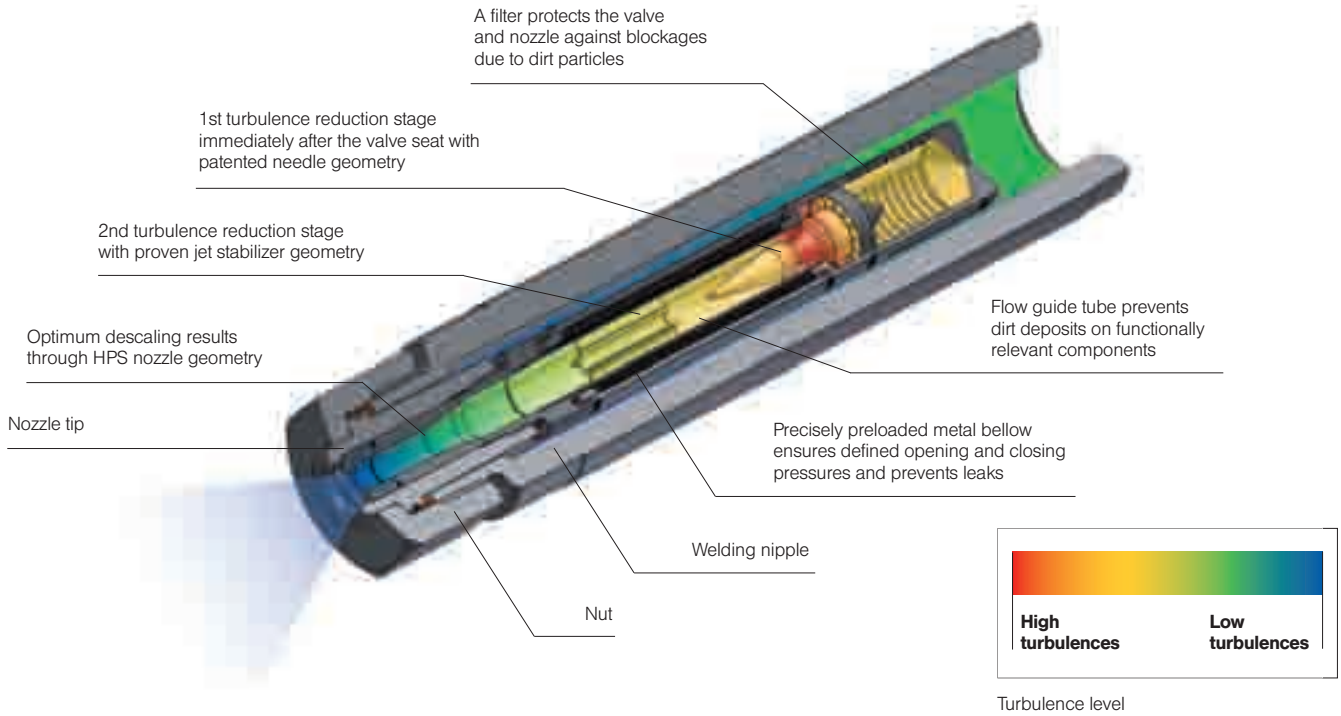
A filter protects the valve and nozzle and increases operating reliability. The nozzle geometry of the SCALEMASTER HPS series ensures optimum descaling results.



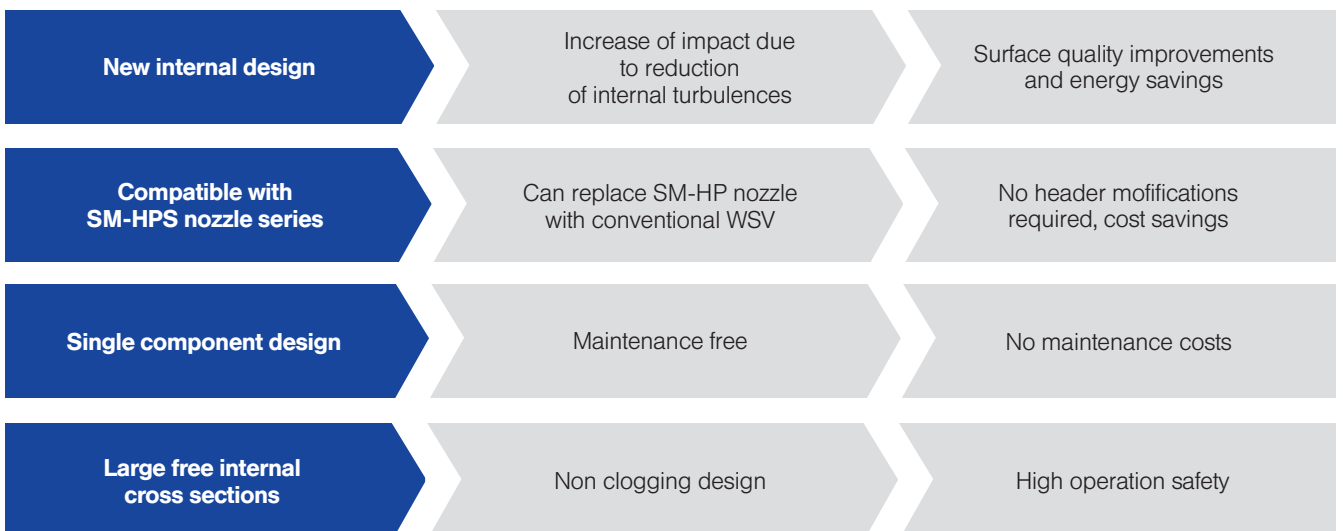
Impact increase by WSV superior compared to conventional WSV depending on the nozzle size.



# FEATURES AND BENEFITS



For series	Ordering no.	Opening pressure [bar]	Closing pressure [bar]	Material
SCALEMASTER HPS (6P4)	06P.460.1Y.00.00.0	14	8	Stainless steel



# MiniSCALEMASTER HP SUPERIOR®



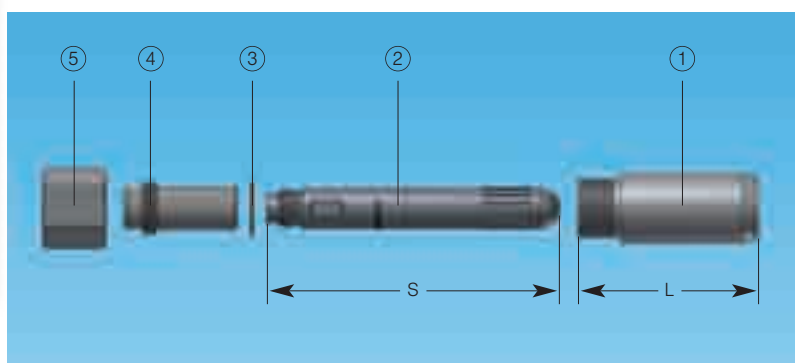
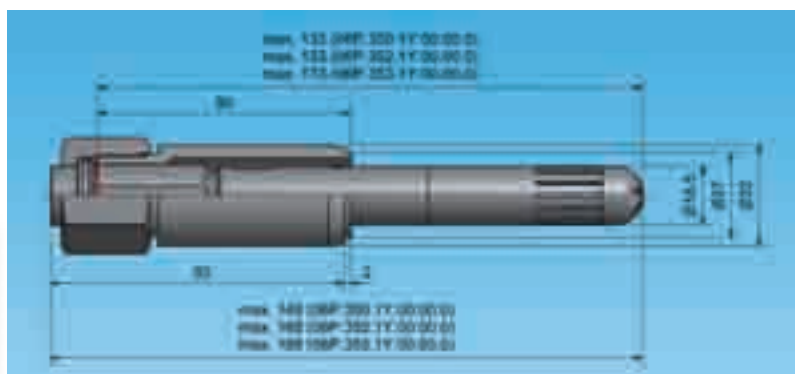
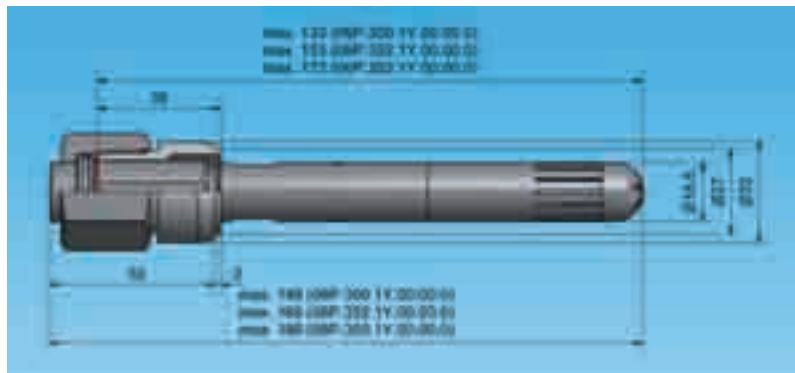
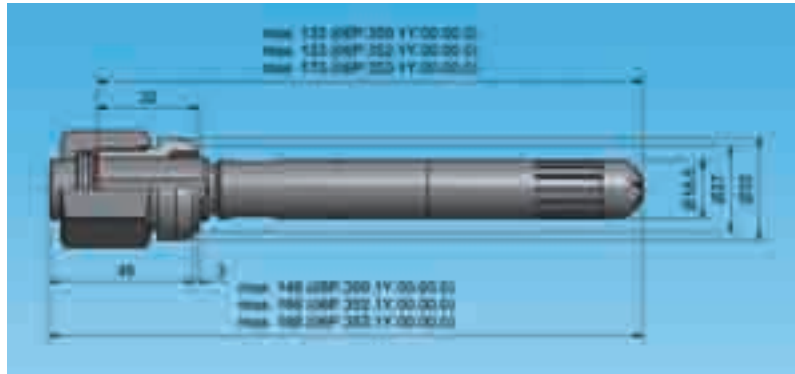
- Spray height reduction
- Improved rolled material surface quality
- Saves on pump energy
- Water flow rate reduced
- Less cooling of rolled product

The window design of the new tip in combination with the new stabilizer-filter unit make the **MiniSCALEMASTER HPS** an ideal nozzle for every **thin slab hot rolling mill, plate mill** or any other hot rolling mill and which offers the following benefits:

The **MiniSCALEMASTER HPS** is the ideal nozzle for descaling in conventional hot strip mills when the vertical spray height is typically below 150 mm and where the nozzle pitch requires a smaller nozzle size.

The proven SCALEMASTER HP tungsten carbide insert geometry combined with the new coreless stabilizer and the optimized filter design form the next step in the evolution of the MiniSCALEMASTER family of descaling nozzles.

- Remarkable increase of impact for better descaling
- Better product surface quality due to higher impact
- Reduction of descaling water flow rate possible
- Potential of energy savings due to reduced slab/strip cooling
- More durable tip with high mechanical strength due to window design
- Interchangeable with all other SCALEMASTER nozzles (check overall length)



No.	Component		Order no.	Weight
1	Welding nipple Material: AISI 304	Length: L=32 mm	060.020.1C.01	0.060 kg
		L=39 mm	060.020.1C.00	0.080 kg
		L=80 mm	060.020.1C.02	0.190 kg
		Other length on request.		
2	Filter stabilizer unit Material: Stainless steel	with filter S = 110 mm	06P.350.1Y.00.00.0	0.100 kg
		with filter S = 130 mm	06P.352.1Y.00.00.0	0.130 kg
		with filter S = 150 mm	06P.353.1Y.00.00.0	0.155 kg
3	Gasket Material: Copper		095.015.34.02.070	0.001 kg
4	Nozzle tip		6P3.XXX.XX see order table	0.140 kg
5	Nut (standard) Material: AISI 430 F	Hex 32 Max. torque 200 Nm	064.400.11	0.085 kg

Max. permissible operating pressure: 450 bar

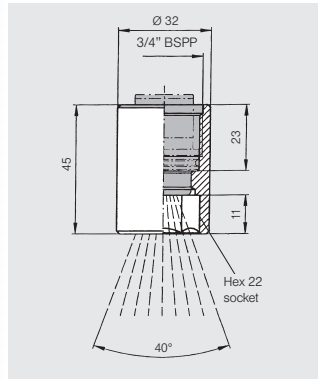
# NOZZLE DATA

## CORRECT NOZZLE ARRANGEMENT

Order no. for nozzle tip							Water flow rate ( $\dot{V}$ )						
Series	Type					Material code	A $\phi$ [mm]	p = 100 bar (1450 psi)		p = 200 bar (2900 psi)		p = 400 bar (5800 psi)	
	Nominal spray angle							[l/min]	[US Gall./min]	[l/min]	[US Gall./min]	[l/min]	[US Gall./min]
	22°	26°	30°	34°	40°								
6P3	495	496	497	491	498	27	1.50	12.00	3.17	16.97	4.50	24.00	6.34
6P3	535	536	537	531	538	27	1.75	15.00	3.96	21.21	5.60	30.00	7.92
6P3	565	566	567	561	568	27	2.00	18.00	4.76	25.46	6.73	36.00	9.52
6P3	605	606	607	601	608	27	2.10	23.00	6.08	32.53	8.59	46.00	12.16
6P3	645	646	647	641	648	27	2.50	28.00	7.40	39.60	10.46	56.00	14.80
6P3	685	686	687	681	688	27	2.80	36.00	9.51	50.91	13.45	72.00	19.02
6P3	725	726	727	721	728	27	3.00	45.00	11.89	63.64	16.81	90.00	23.78
6P3	765	766	767	761	768	27	3.50	58.00	15.32	82.02	21.67	116.00	30.64
6P3	805	806	807	801	808	27	3.80	72.00	19.02	101.82	26.90	144.00	38.04
6P3	845	846	847	841	848	27	4.30	89.00	23.51	125.87	33.25	178.00	47.02
6P3	885	886	887	881	888	27	4.70	112.00	29.59	158.39	41.85	224.00	59.18
6P3	-	906	907	901	908	27	5.00	125.00	33.03	176.78	46.70	250.00	66.06
6P3	-	916	917	911	918	27	5.20	134.00	35.40	189.50	50.07	268.00	70.80

**Flow rate conversion for table**

$$\dot{V}_2 = \sqrt{\frac{p_2}{p_1}} * \dot{V}_1 \text{ [l/min]}$$

$$p_2 = \left(\frac{\dot{V}_2}{\dot{V}_1}\right)^2 * p_1 \text{ [bar]}$$


**Ordering** Series + Code + Mat.-Code = Order No.  
**example:** 6P3 + 495 + 27 = 6P3.495.27

A  $\phi$  = equivalent bore diameter  
 Material code 27: Stainless steel nozzle tip with tungsten carbide insert

Special nut with hexagon socket for very narrow distances between nozzles  
**Order no.: 064.401.11**

### Nozzle spray positions

1. All nozzle jets turned parallel in one direction.
2. Nozzle jets, half of them turned outwards in opposite directions. This directs the spray water to both sides (see Fig. 1).

### Nipple installation

So that the correct alignment of the nozzle mouthpiece (15° offset angle to the header's longitudinal axis - see Fig. 1) is guaranteed, the welding nipple on the spray header must be positioned so that its flat inner surfaces are parallel to the header's longitudinal axis. This is best achieved with the alignment aid supplied as an accessory (Fig. 2, Order No. 064.490.01).

To do this, it is inserted into the flat nipple opening. A rule (or similar) can now be used to easily bring the nipple into the correct parallel position where it can be welded in place. (see Fig. 3)

### Alignment tip

The installation aid (Fig. 2, Order No. 064.490.01) is also used as a dummy part to shut off nozzle connections or for hydrostatic pressure testing.



Fig. 2: Alignment tip / dummy part

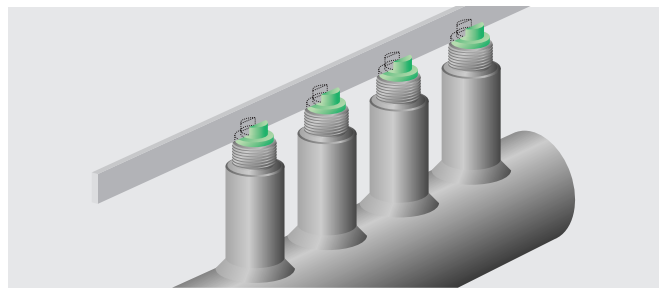
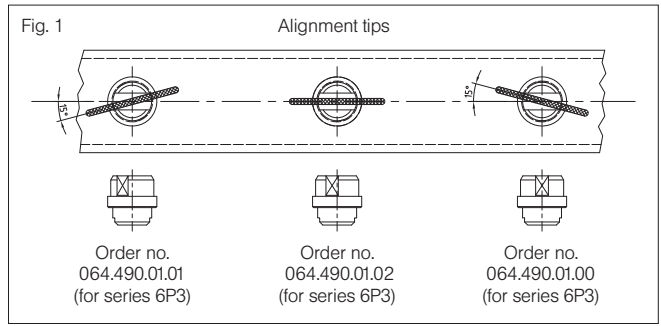


Fig. 3: Installation example for welding nipple

# NOZZLE ARRANGEMENT ON THE SPRAY HEADER

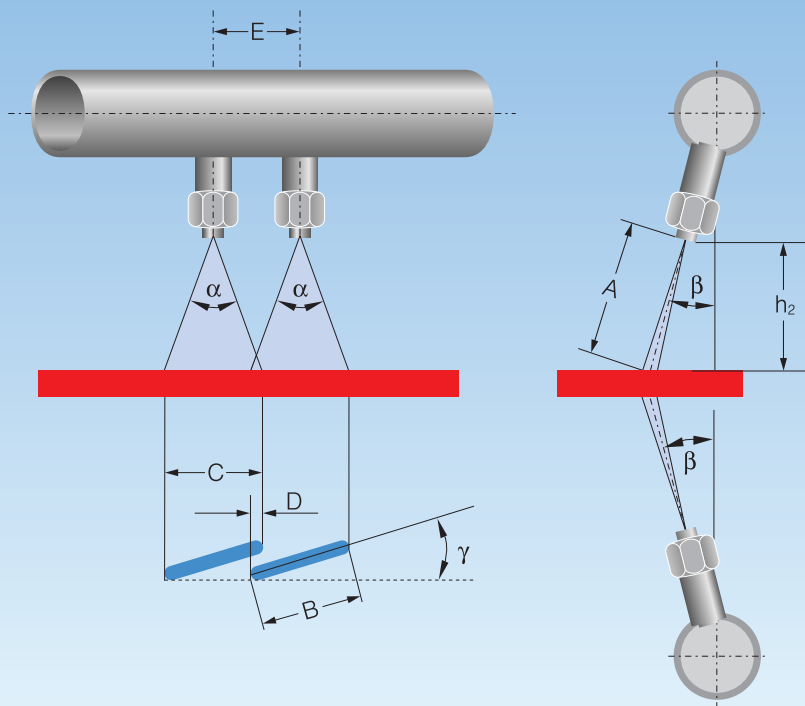
The following apply to the arrangement on the spray header:

$$E = C - D$$

$$C = \cos \gamma \cdot B$$

$$\beta = 5^\circ, 10^\circ \text{ or } 15^\circ$$

- A = Spray length
- B = Spray width
- C = Spray width in rolling direction
- D = Overlap
- E = Nozzle distance
- $h_2$  = Vertical spray height
- $\alpha$  = Nozzle spray angle
- $\beta$  = Angle of inclination
- $\gamma$  = Offset angle of the nozzle against pipe roll axis



Spray length (A), Spray width (B, C), Overlap (D), Nozzle distance (E) at vertical spray height ( $h_2$ ), Nozzle spray angle ( $\alpha$ ) and Angle of inclination ( $\beta$ )

Vertical spraying height $h_2$ [mm]	Angle of inclination $\beta = 15^\circ$ A [mm]	Nominal nozzle spray angle $\alpha$ at p = 150 bar																			
		$\alpha = 22^\circ$				$\alpha = 26^\circ$				$\alpha = 30^\circ$				$\alpha = 34^\circ$				$\alpha = 40^\circ$			
		B	C	D	E	B	C	D	E	B	C	D	E	B	C	D	E	B	C	D	E
50	52	26	25	-	-	30	29	-	-	35	34	-	-	39	38	-	-	47	45	5	40 <sup>1)</sup>
75	78	36	35	-	-	43	42	5	37 <sup>1)</sup>	49	47	5	42 <sup>1)</sup>	55	53	6	47 <sup>2)</sup>	67	65	7	58 <sup>2)</sup>
100	104	47	45	7	38 <sup>1)</sup>	56	54	5	49 <sup>2)</sup>	64	62	5	57 <sup>3)</sup>	71	69	7	62 <sup>3)</sup>	88	85	8	77
125	129	57	55	7	48 <sup>2)</sup>	68	66	7	59 <sup>3)</sup>	78	75	7	68	87	84	9	75	108	104	10	94
150	155	68	66	8	58 <sup>3)</sup>	81	78	7	71	93	90	8	82	103	99	9	90	128	124	10	114
200	207	89	86	9	77	106	102	10	92	122	118	10	108	134	129	13	116	168	162	15	147
250	259	111	107	11	96	132	128	10	118	151	146	15	131	166	160	15	145	209	202	15	187

<sup>1)</sup>only MiniSCALEMASTER HPS with hexagon socket nut    <sup>2)</sup>only MiniSCALEMASTER HPS    <sup>3)</sup>only with hexagon socket nut



# QUESTIONNAIRE FOR NOZZLE ARRANGEMENT

Company

---

Responsible

---

Address

---

Phone

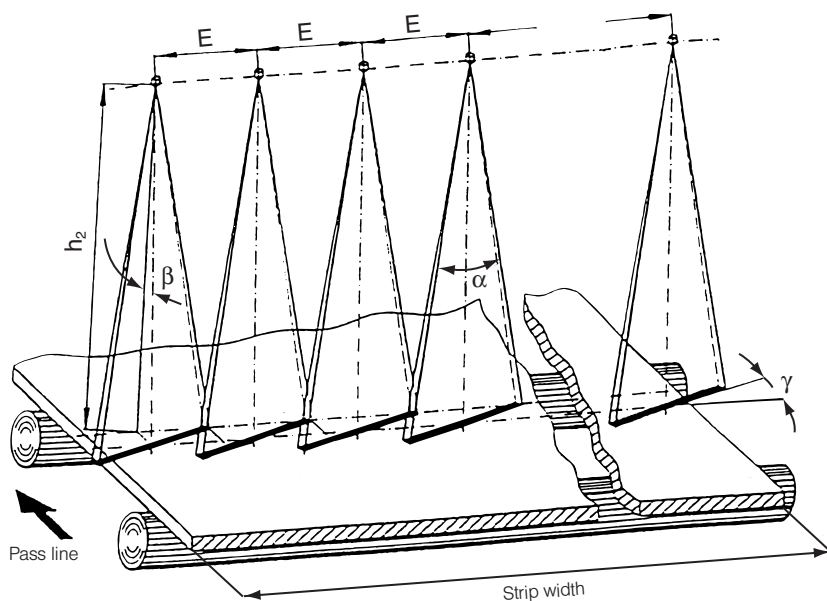
---

Fax

---

E-mail

---



## Questionnaire about existing Descaling Nozzle Arrangement

Name		Date	Department	
Location of descaling installation: <input type="checkbox"/> Behind the furnace <input type="checkbox"/> RSB <input type="checkbox"/> FSB <input type="checkbox"/> Interstand descaling				
Format	Dimensions [mm]	Nozzle Data		
Strip			top	bottom
Slab		Number of headers		
Plate		Nozzle type		
Bloom		Horizontal distance (E)	mm	mm
Billet		Number of nozzles		
Rounds		Vertical spray height ( $h_2$ )	mm	mm
<b>Material speed</b>	m/s	Spray angle ( $\alpha$ )	°	°
<b>Pressure at header</b>	bar	Offset angle ( $\gamma$ )	°	°
<b>Available max. water flow</b>	l/min	Impingement angle ( $\beta$ )	°	°
	l/h			
Room for sketch:				

# ACCESSORIES AND SPRAY HEADERS

## Disassembly set

The disassembly set is pushed onto the recess on the mouth-piece. The entire nozzle unit can be pulled out when the union nut is unscrewed.

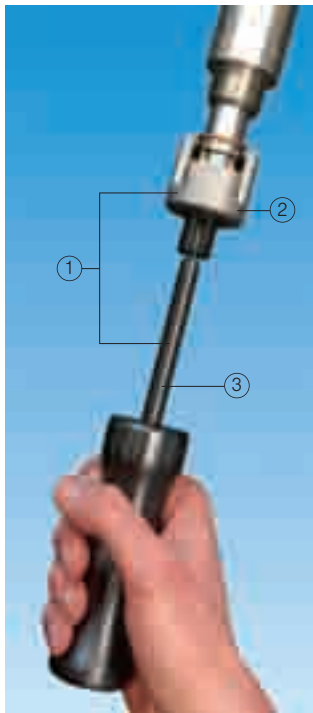


Fig. 1: Disassembly set  
(data sheet on request)

### For SCALEMASTER HPS

- ① **Disassembly set**  
Order no. 069.492.12.00.00.0
- ② **Tip extractor**  
Order no. 069.492.12.00.10.0
- ③ **Extraction tool**  
Order no. 095.009.00.12.56.0

### For MiniSCALEMASTER HPS

- ① **Disassembly set**  
Order no. 064.492.12.00.00.0
- ② **Tip extractor**  
Order no. 064.492.12.00.10.0
- ③ **Extraction tool**  
Order no. 095.009.00.12.56.0

## Anti-seize compound

(Ordering No. 9ET.048.29.00.00.0; 80g) The application of the anti-seize compound on the thread of the welding nipples is recommended and ensures easy removal of the nut.



## Spray headers

Next to the wide range of descaling nozzles we offer the design and production of complete spray headers or rings.



Spray ring



Spray header

# DESCALING PRESSURE GAUGE



Hand held pressure reading



Installation example: pressure sensor with spray protection mounted on spray header

## Hand held pressure reading

With the new Lechler descaling pressure gauge the water pressure can be measured directly at the spray header in front of a descaling nozzle by simply taking one nozzle out and putting the pressure sensor instead.

For detailed information please ask for the special product data sheet.

- Simple and user-friendly key operation
- 2 sensor inputs, automatic sensor recognition

## Sensor details

- Measuring range: 0...600 bar
- Burst pressure: 2,000 bar
- Accuracy of sensor:  $\pm 0.25\%$  of full scale ( $\pm 1.5$  bar)
- Protection class: IP67

## Complete Descaling Pressure Gauge

(Ordering No. 06P.M00.00.00.00.0)  
Sensor adaptors for 6P3 (Mini SM-HPS) and 6P4 (SM-HPS) nozzle tips included.



**ENGINEERING  
YOUR SPRAY SOLUTION**



## LECHLER WORLD-WIDE



### **Lechler GmbH · Precision Nozzles · Nozzle Systems**

**P.O. Box 13 23 · 72544 Metzingen, Germany · Phone +49 71 23 962-0 · Fax +49 71 23 962-333 · info@lechler.de · www.lechler.com**

**Belgium:** Lechler S.A./N.V. · Avenue Mercatorlaan, 6 · 1300 Wavre · Phone: +32 10 225022 · Fax: +32 10 243901 · info@lechler.be

**China:** Lechler Intl. Trad. Co. Ltd. · Beijing · Rm. 418 Landmark Tower · No. 8 Dong San Huan Bei Lu · Phone: +86 10 84537968, Fax: +86 10 84537458 · info@lechler.com.cn

**Finland:** Lechler Oy · Jäspilänkatu 18 · 04360 Kerava · Phone: +358 207 856880 · Fax: +358 207 856881 · info@lechler.fi

**France:** Lechler France, S.A. · Bât. CAP2 · 66-72, Rue Marceau · 93558 Montreuil cedex · Phone: +33 1 49882600 · Fax: +33 1 49882609 · info@lechler.fr

**Great Britain:** Lechler Ltd. · 1 Fell Street, Newhall · Sheffield, S9 2TP · Phone: +44 114 2492020 · Fax: +44 114 2493600 · info@lechler.com

**India:** Lechler (India) Pvt. Ltd. · Plot B-2 · Main Road · Wagle Industrial Estate · Thane (W) · 400604 · Phone: +91 22 40634444 · Fax: +91 22 40634497 · lechler@lechlerindia.com

**Italy:** Lechler Spray Technology S.r.l. · Via Don Dossetti, 2 · 20080 Carpiano (MI) · Phone: +39 02 98859027 · Fax: +39 02 9815647 · info@lechleritalia.com

**Sweden:** Lechler AB · Kungsängsvägen 31 B · 753 23 Uppsala · Phone: +46 54 137030 · Fax: +46 54 137031 · info@lechler.se

**Spain:** Lechler S.A. · Avda. Pirineos 7 · Oficina B7, Edificio Inbisa I · 28700 San Sebastián de los Reyes, Madrid · Phone: +34 91 6586346 · Fax: +34 91 6586347 · info@lechler.es

**USA:** Lechler Inc. · 445 Kautz Road · St. Charles, IL 60174 · Phone: +1 630 3776611 · Fax: +1 630 3776657 · info@lechlerUSA.com