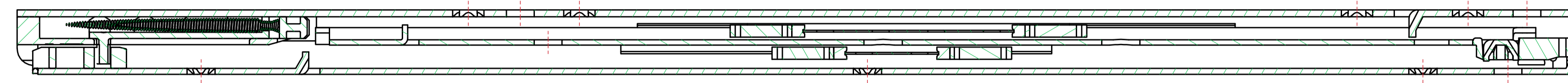
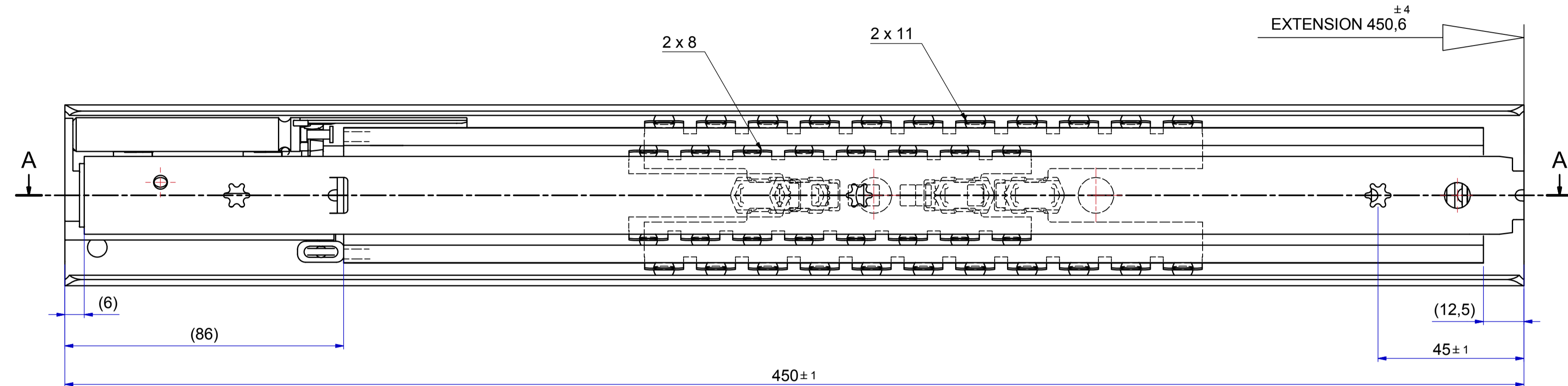
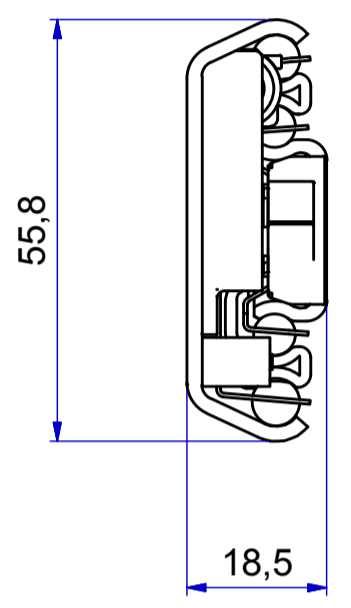
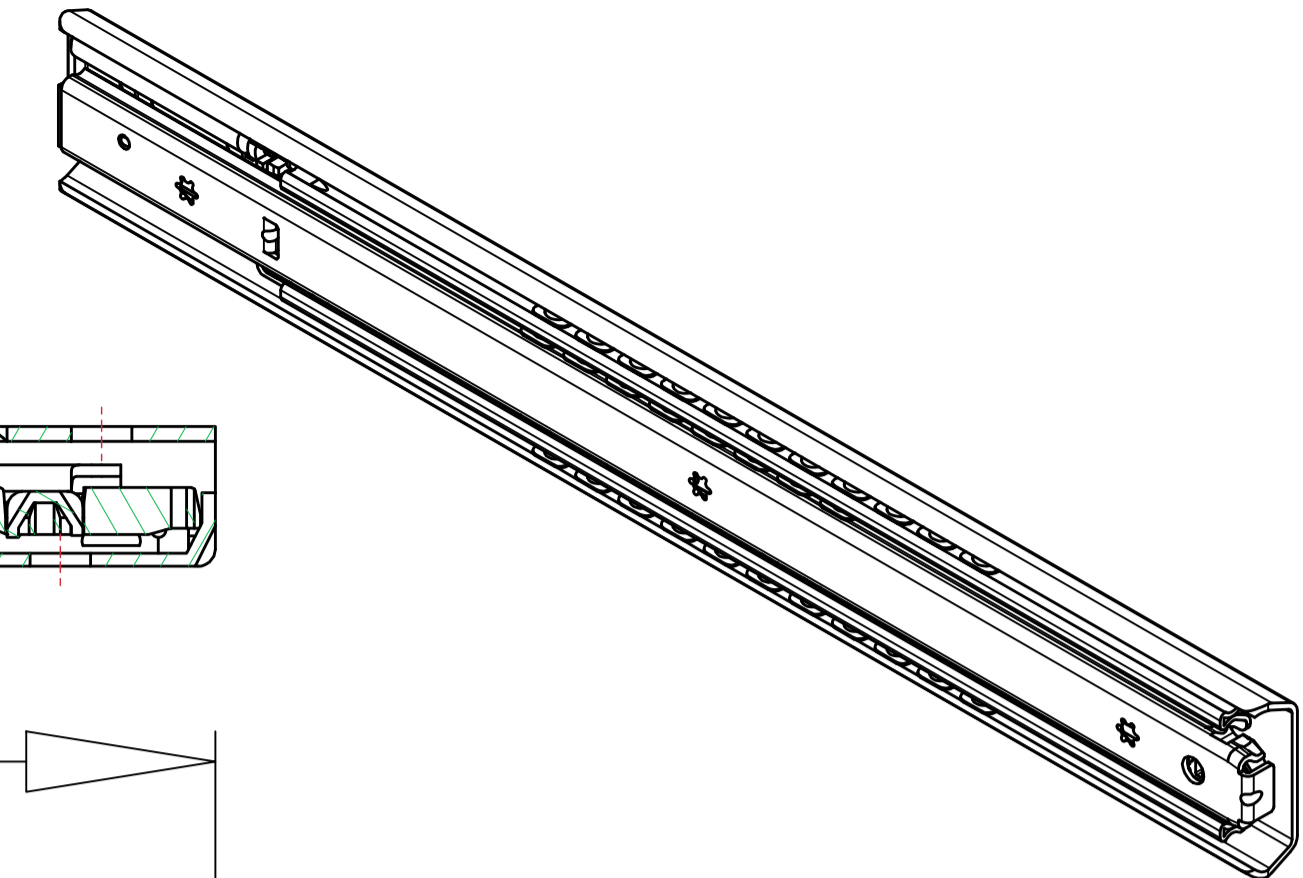


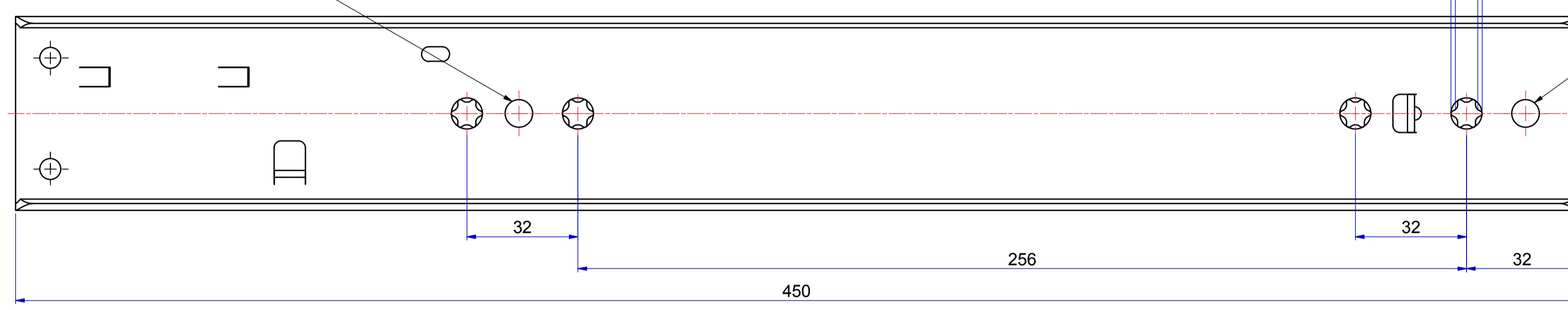
T 1 - 2 = 185,5 mm
T 2 - 3 = 265,1 mm



A-A (1 : 1)

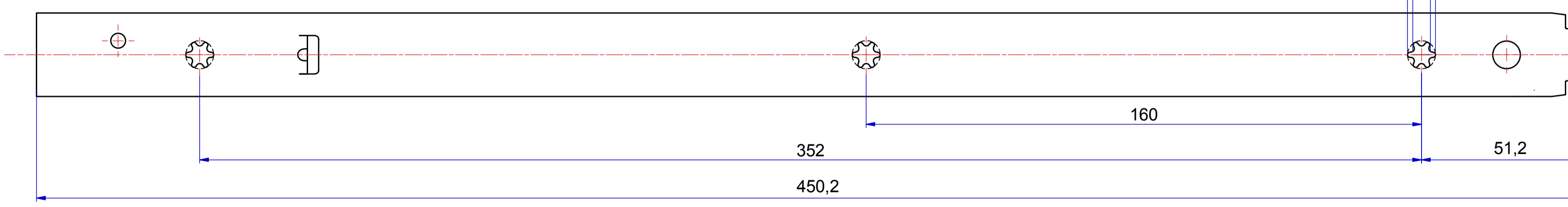
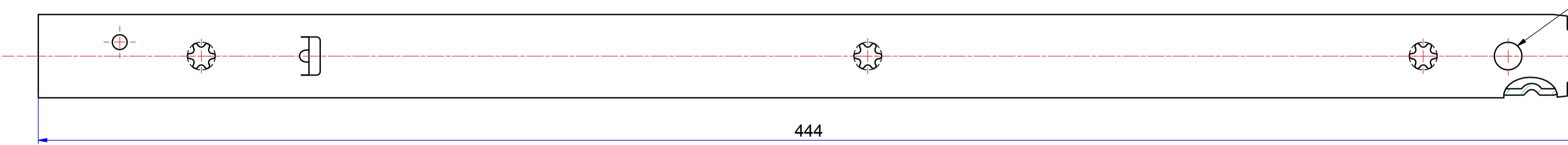


Do not use for customer application!



Do not use for customer application!

Do not use for customer application!



511-12-S84-HDB

513-12-S84-UB3

PRODUCTION

Right hand slide = Left hand slide.

Dimensions between marks are guide dimensions.

Thomas Regout Int. B.V. reserves the right to alter non-customer specific specifications without notice.

Designer	M. Mahieu	Gen.Tol.Dim.	± 0,5	Third angle projection	Material
Date	11-10-2011	Gen.Tol.Angle	± 0,5		Treatment
Approver		Gen.Roughness	Ra		Draw type
Date		Units	mm/deg.	Scale	1 : 1
Description				Type	Model No.
ULF HD 450.0 / 450,6 (18,5mm)				Released for Production	E000017376
Format	A1	THOMAS REGOUT INTERNATIONAL B.V.	Item No.	112-S84	Revision
© THOMAS REGOUT INTERNATIONAL BV, Industrieweg 40, 6219 NR, Maastricht, The Netherlands, +31 (0)43 351 66 66					01
All rights are reserved.					

1	23-1-2014	Loopwerk aangepast tbv. redesign softclose (zie point13002.doc)	M.Peeters
Re	Date	Description	Designer