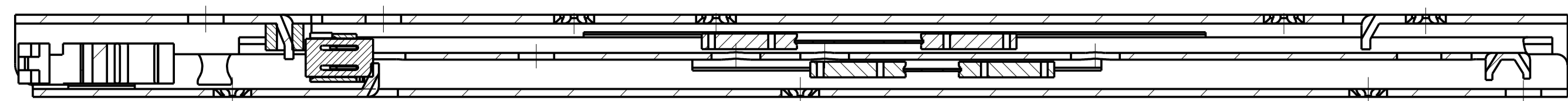


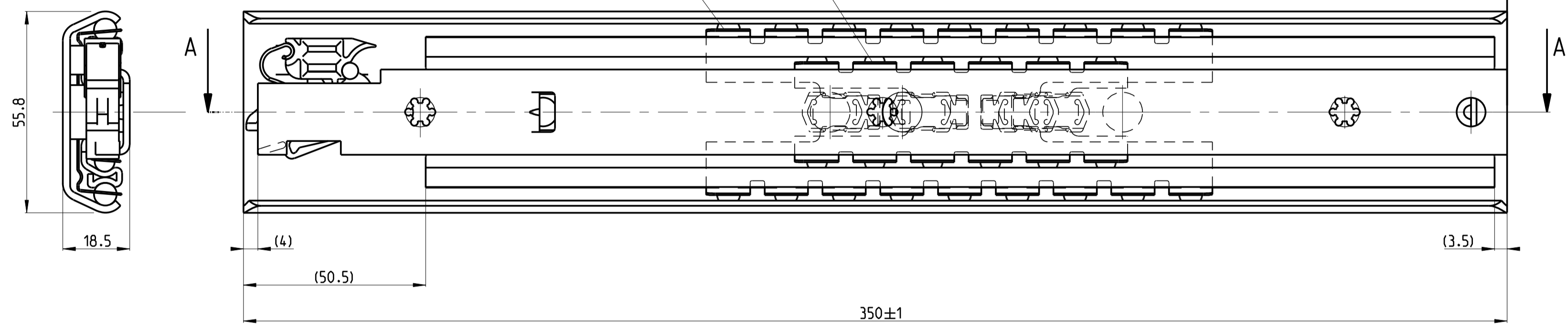
1 2 3 4 5 6 7 8 9 10 11 12 13 14 15 16 17 18 19 20

T 1-2 = 155.5
T 2-3 = 194.5

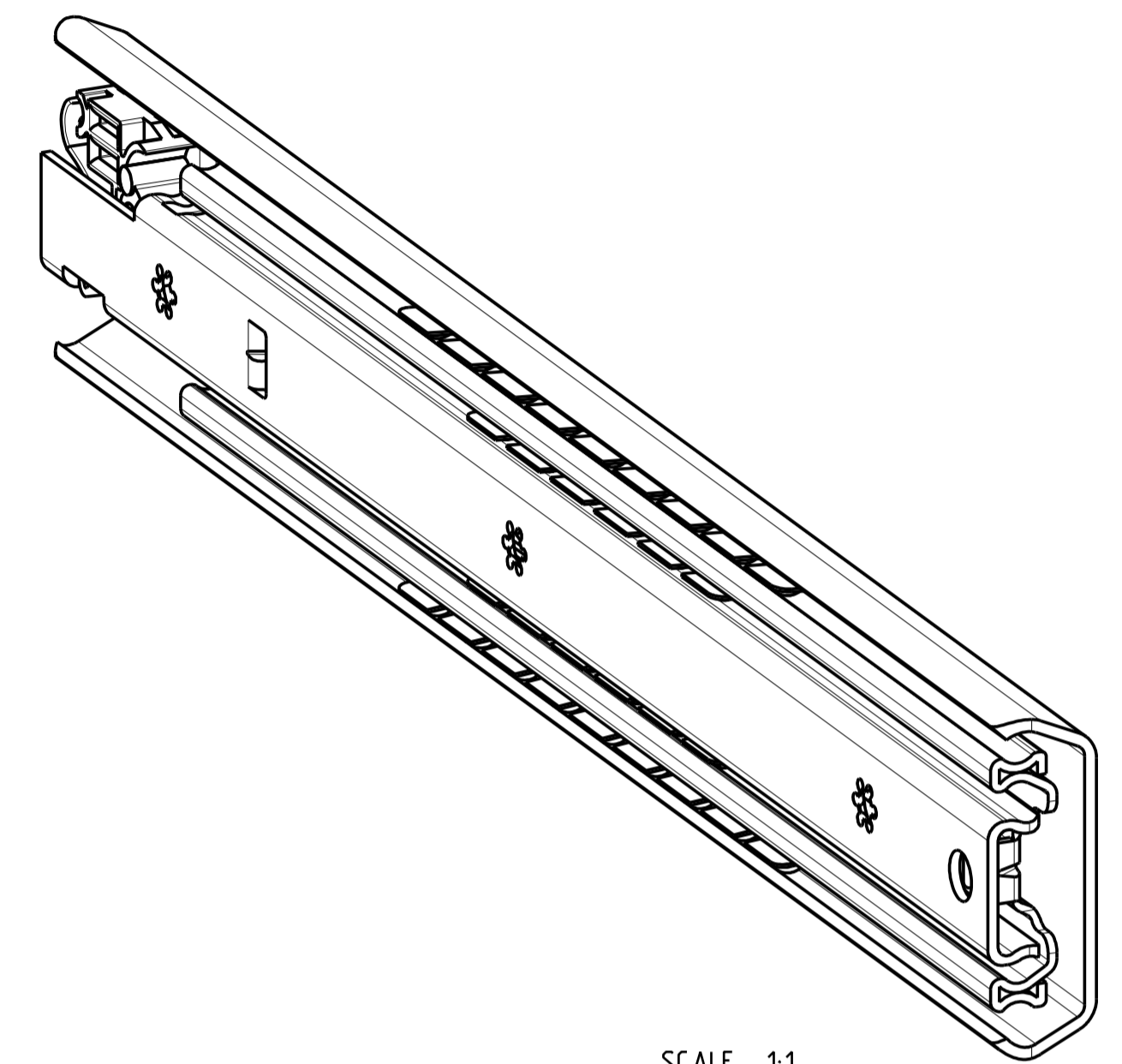


SECTION A-A

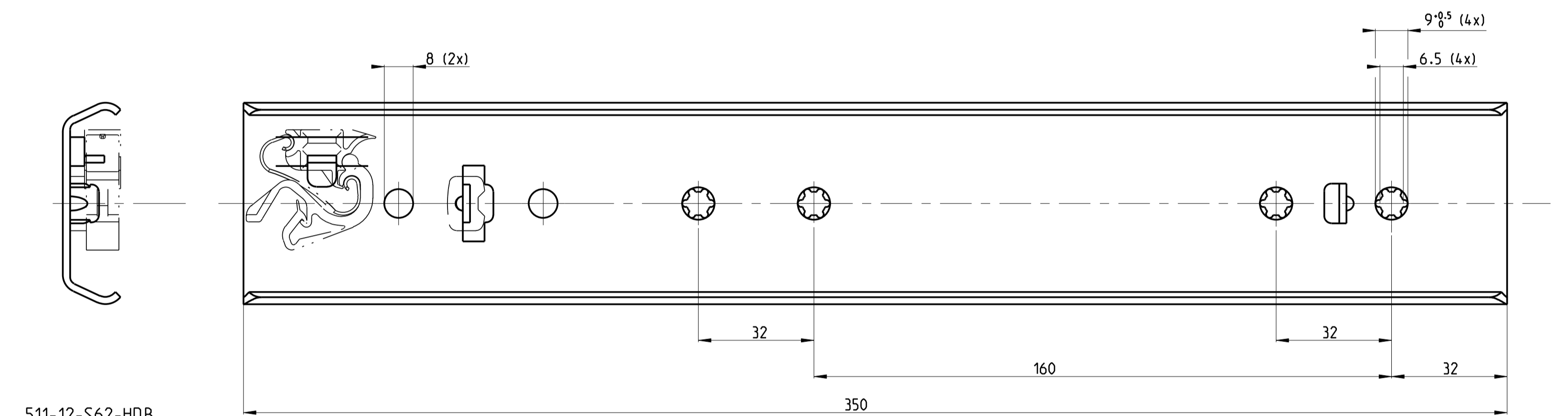
EXTENSION 350 ± 4 mm



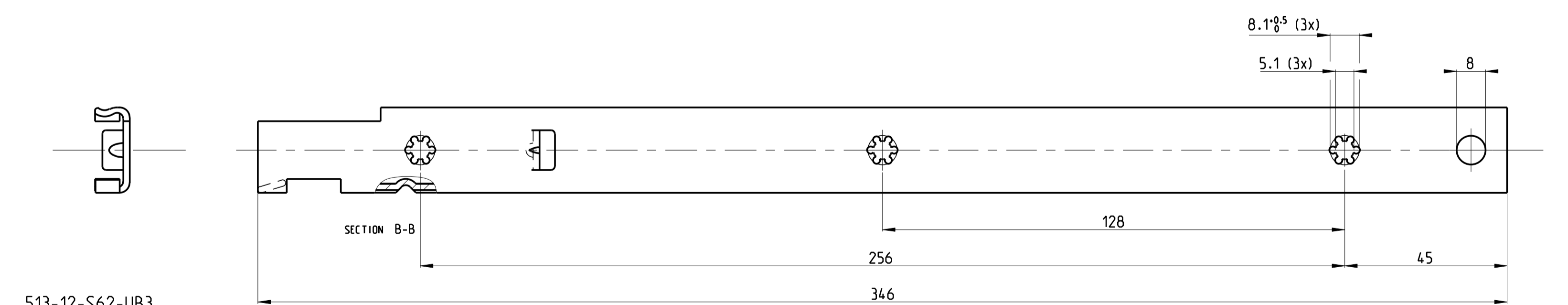
FRONT



SCALE 1:1



511-12-S62-HDB



513-12-S62-UB3

PRO/ENGINEER Drawing Was: - 112-F92-01	Dimensions between marks are guide dimensions. Tolerances unless otherwise stated ± 0.5 mm.	Thomas Regout Int. B.V. reserves the right to alter non-customer specific specifications without notice.
American projection	DIMENSION mm	MAT.: -
SCALE 1:1	DATE 09-11-2011	REM.: RIGHT HAND SLIDE = LEFT HAND SLIDE
DESIGNER M. Mahieu	CHECKED -	Type F
ULF HD 350.0 / 350.0 (18,5mm)		
		Drw. Nr. 112-S62 _ 00
© Thomas Regout International BV All rights are reserved.		Format. A1 Production

04	-	-	05	-	-	-	06	-	-	-	-
01	-	-	02	-	-	-	03	-	-	-	-