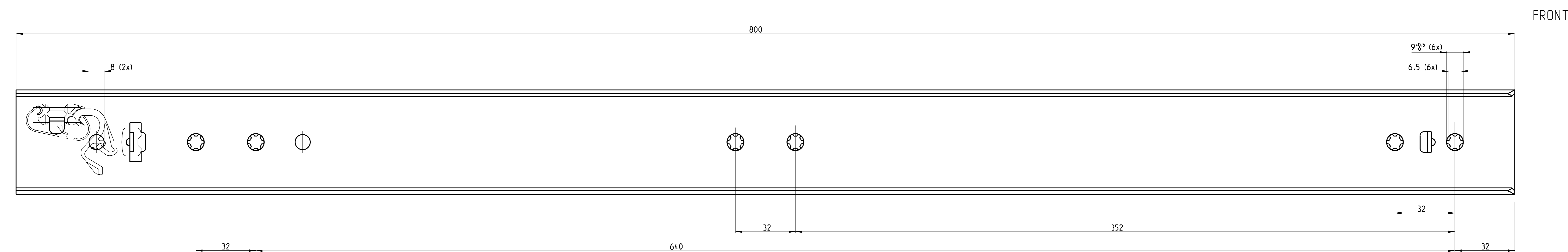
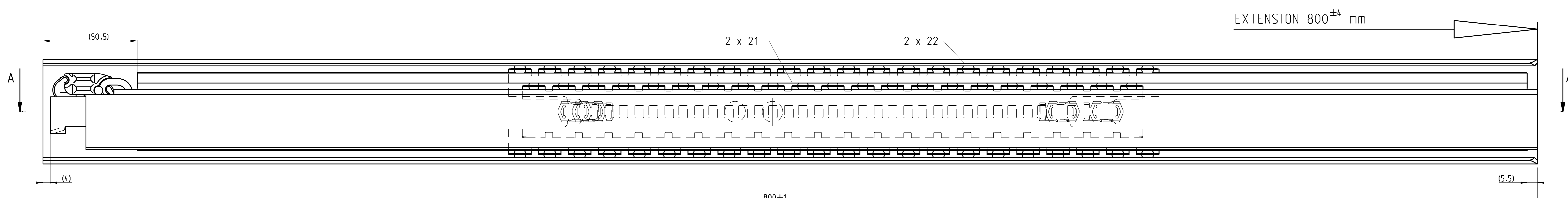
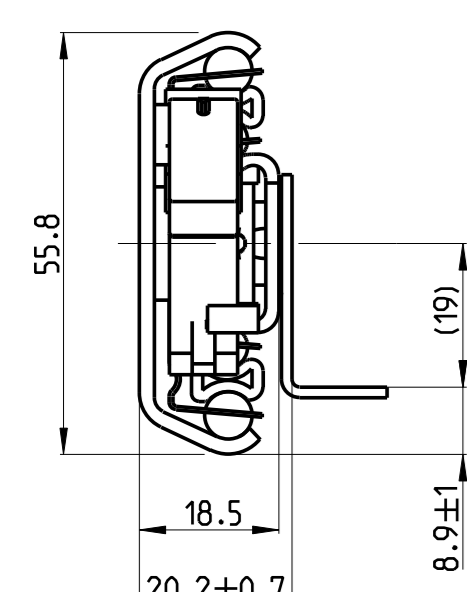
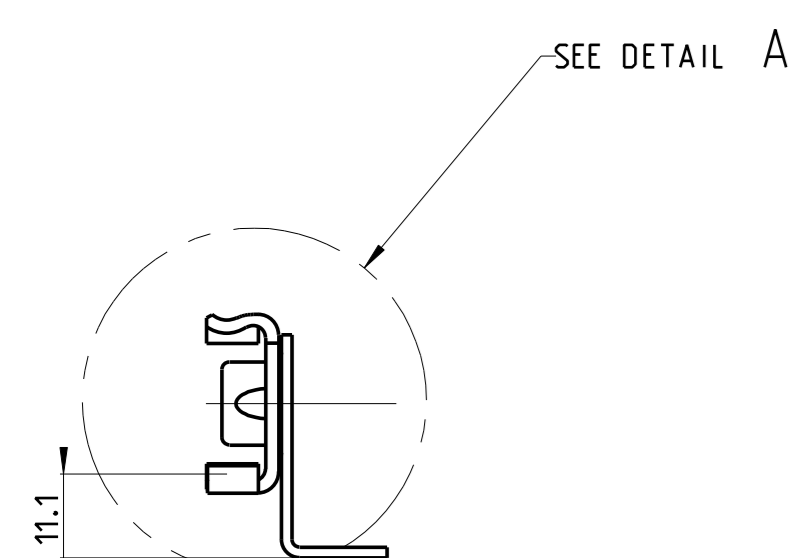


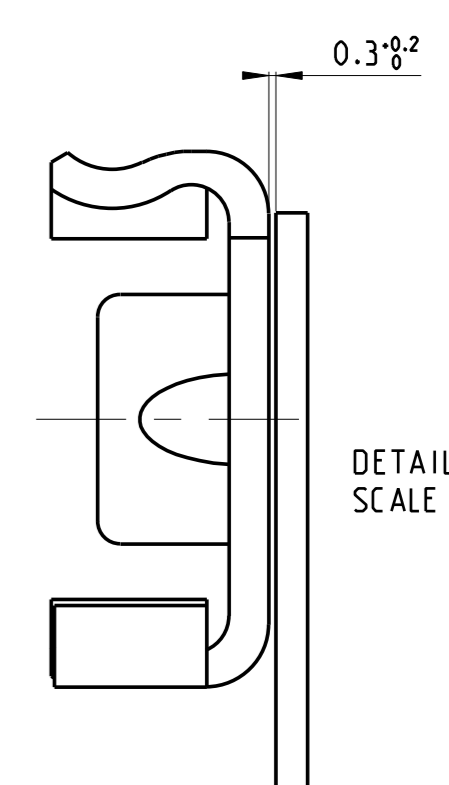
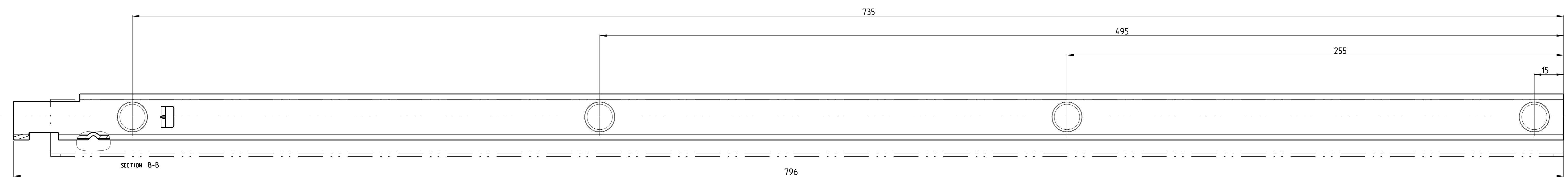
T 1-2 = 397.5
T 2-3 = 402.5



511-12-S49-HDB



513-12-S49-UB3



PRO/ENGINEER Drawing	Dimensions between marks are guide dimensions. Tolerances unless otherwise stated ±0.5mm.		Thomas Regout Int. B.V. reserves the right to alter non-customer specific specifications without notice.
Was: -			
American projection	DIMENSION	mm	MAT.: -
	SCALE	1:1	REM.: RIGHT HAND SLIDE IS SHOWN PART
	DATE	26-10-2011	LEFT HAND SLIDE IS OPPOSITE PART
	DESIGNER	J. Schreurs	FAILSAFE: RIGHT HAND SLIDE IS LEFT HAND SLIDE
	CHECKED	-	TYPE E
ULF HD 800.0 / 800.0 (18,5mm)			
THOMAS REGOUT INTERNATIONAL BV		Draw. Nr.	Format.
Thomas Regout International BV All rights are reserved.		112-S49 _ 00	A0
		Production	