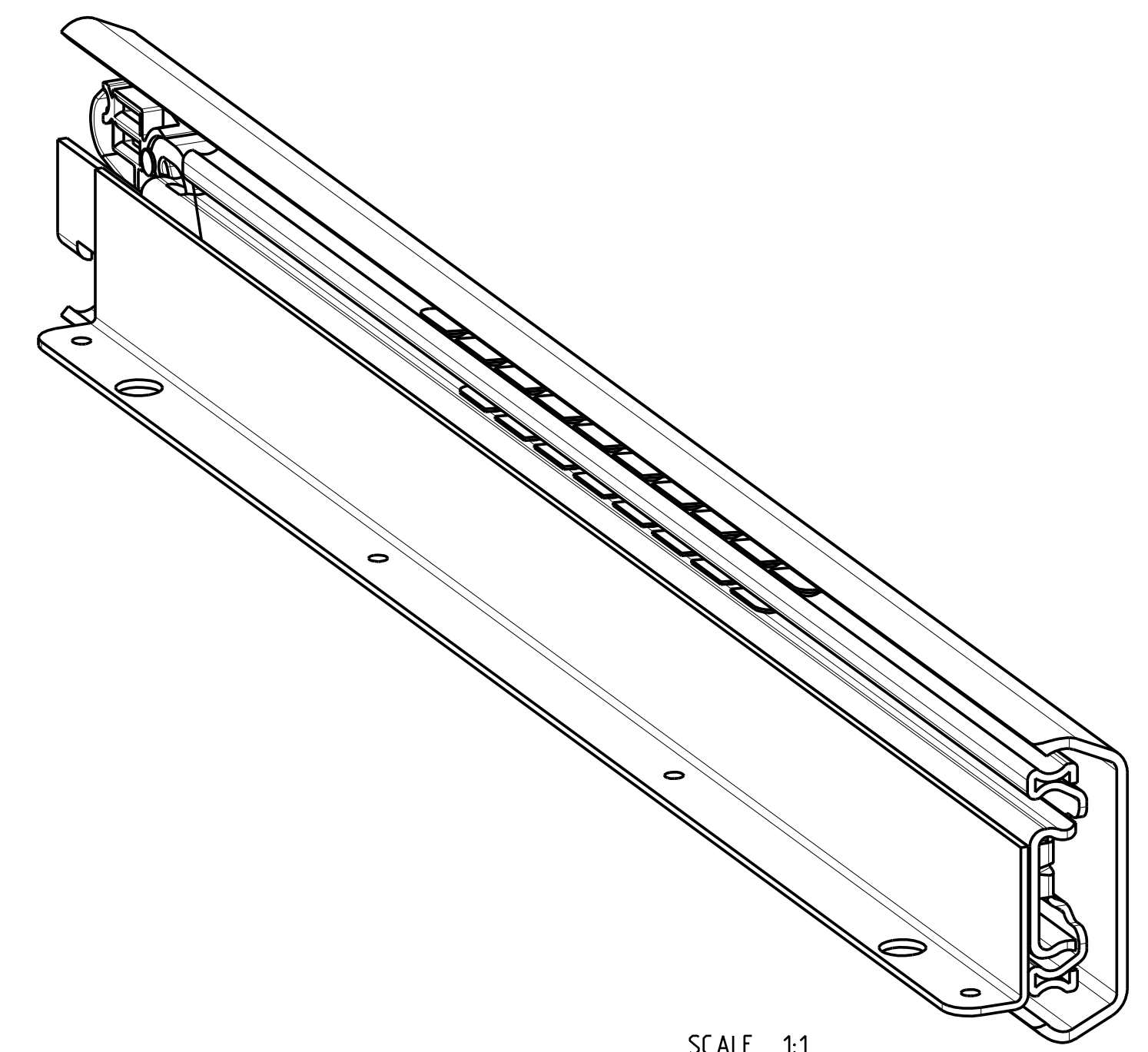
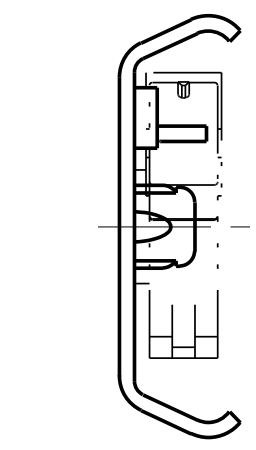
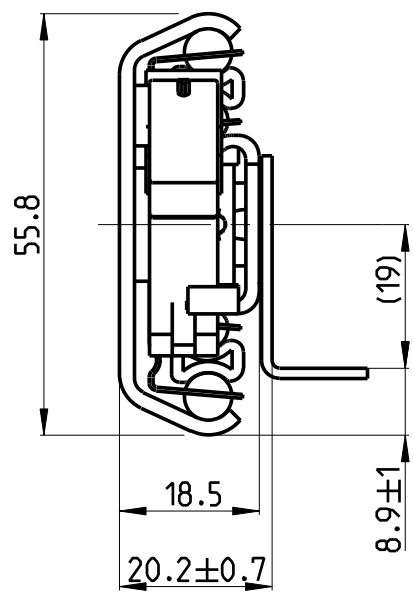


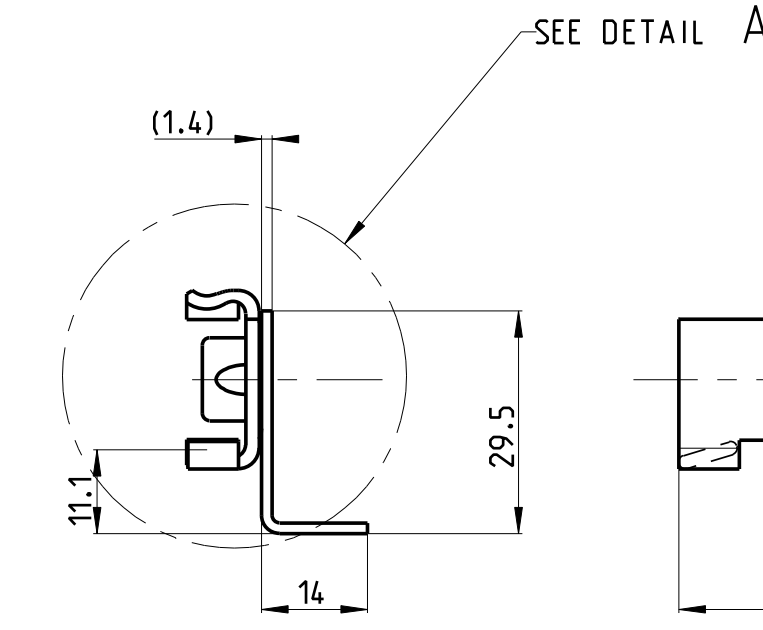
T 1-2 = 189.5  
T 2-3 = 210.5



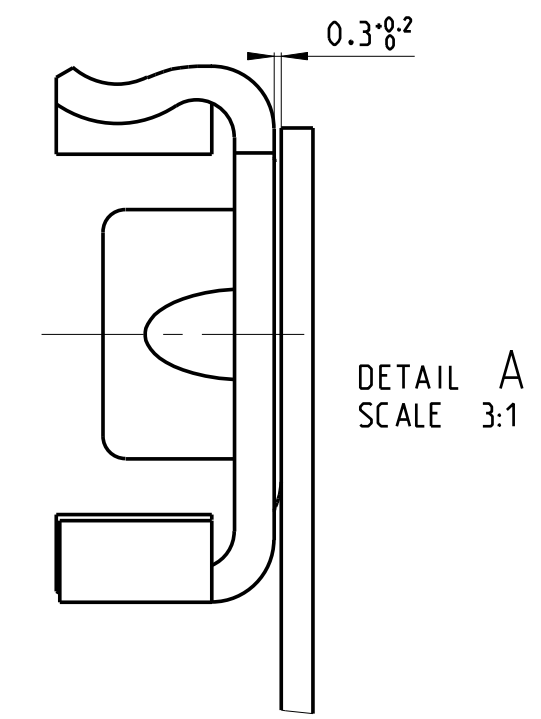
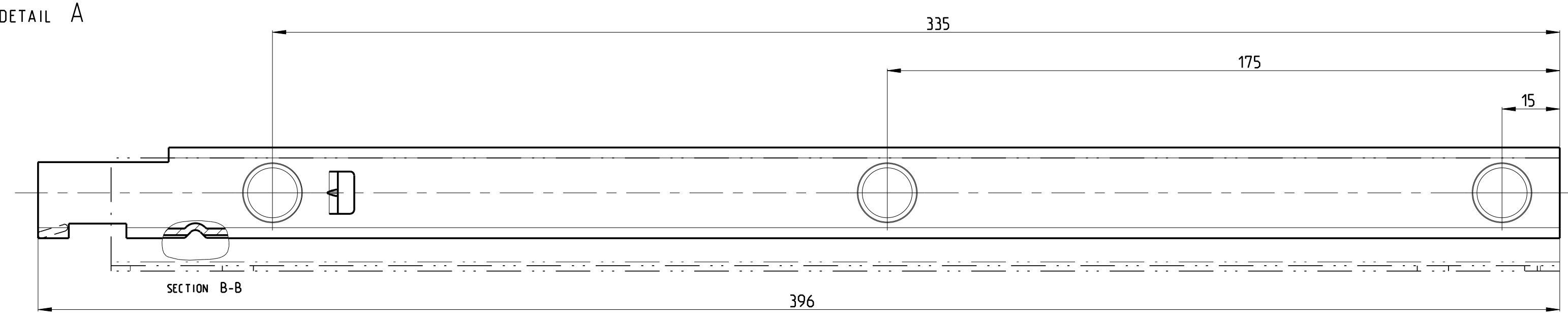
SCALE 1:1



511-12-S43-HDB



513-12-S43-UB3



PRO/ENGINEER Drawing Was: - -	Dimensions between marks are guide dimensions. Tolerances unless otherwise stated ±0.5mm.	Thomas Regout Int. B.V. reserves the right to alter non-customer specific specifications without notice.
American projection	DIMENSION mm	MAT.: -
SCALE 1:1	DATE 26-10-2011	DESIGNER J. Schreurs
CHECKED -		
REM.: RIGHT HAND SLIDE IS SHOWN PART LEFT HAND SLIDE IS OPPOSITE PART FAILSAFE: RIGHT HAND SLIDE IS LEFT HAND SLIDE TYPE E		
ULF HD 400,0 / 400,0 (18,5mm)		
THOMAS REGOUT INTERNATIONAL BV	Drw. Nr. 112-S43 _ 00	Format. A1
© Thomas Regout International BV All rights are reserved. Production		

04	-	-	05	-	-	06	-	-	-	-
01	-	-	02	-	-	03	-	-	-	-