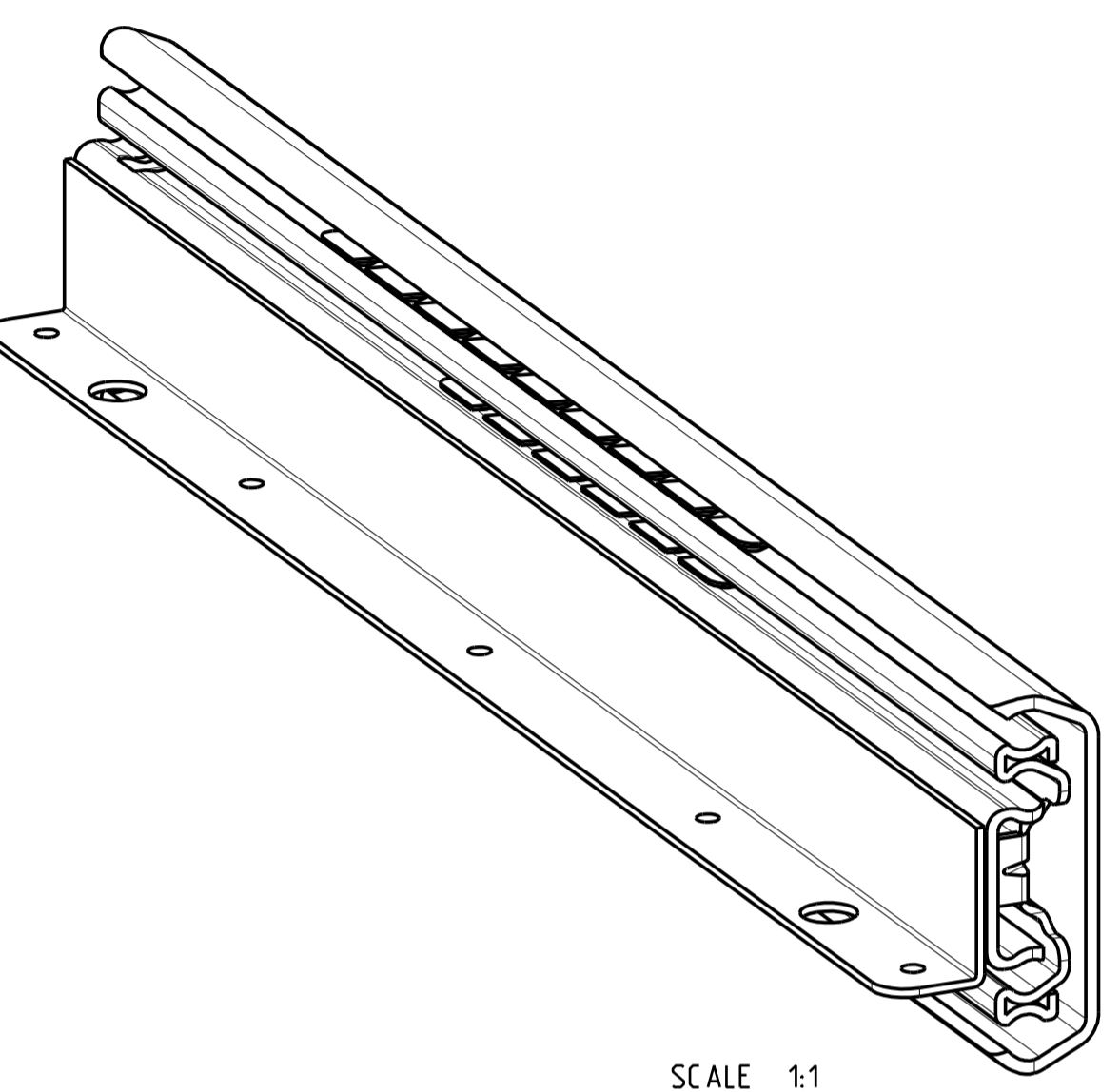


T 1-2 = 142.5  
T 2-3 = 177.5

511-12-S01-HDA

513-12-S01-UB3



PRO/ENGINEER Drawing		Dimensions between marks are guide dimensions. Tolerances unless otherwise stated ±0.5mm.		Thomas Regout Int. B.V. reserves the right to alter non-customer specific specifications without notice.	
Was: - 102-545-00					
American projection	DIMENSION	mm	MAT.:	-	
	SCALE	1:1	REM.:	RIGHT HAND SLIDE IS SHOWN PART	
	DATE	01-09-2011		LEFT HAND SLIDE IS OPPOSITE PART	
	DESIGNER	M. Lamkin		TYPE B	
	CHECKED	-		-	
ULF HD 300,0 / 320,0 (17,2mm)					
THOMAS REGOUT INTERNATIONAL BV			Drw. Nr.	112-S01 _ 00	Format. A1
© Thomas Regout International BV All rights are reserved.				Production	

04	-	-	-	05	-	-	-	06	-	-	-	-
01	-	-	-	02	-	-	-	03	-	-	-	-