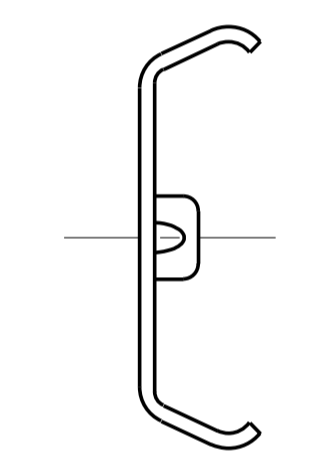
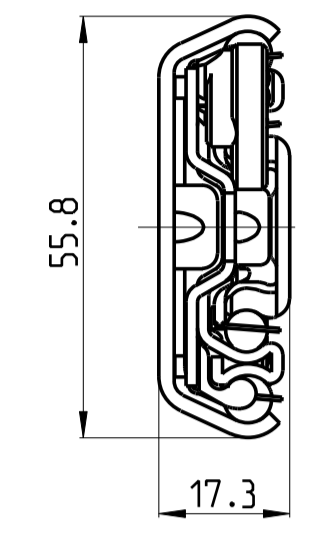
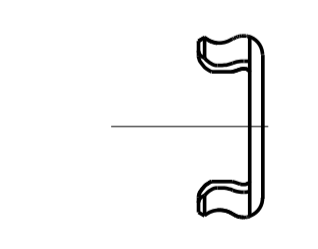


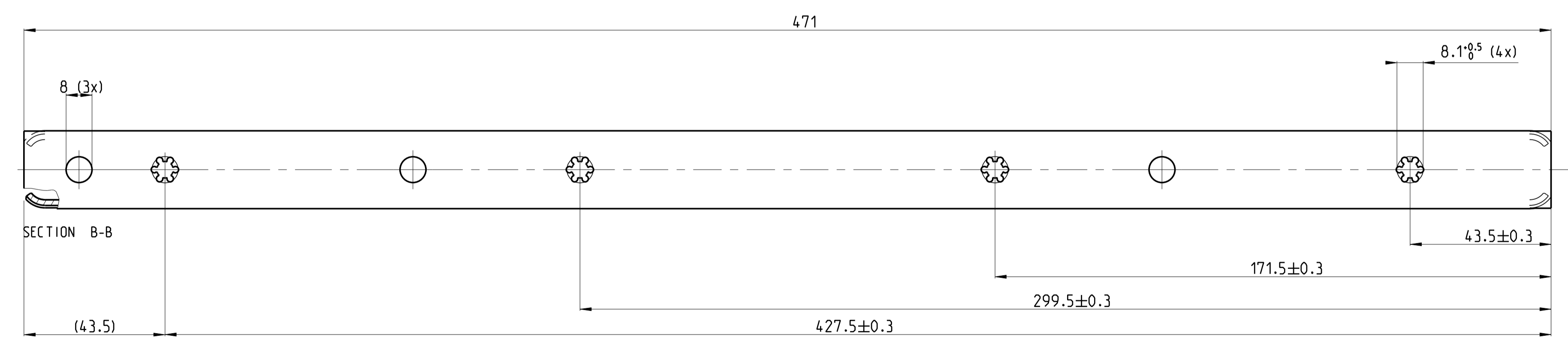
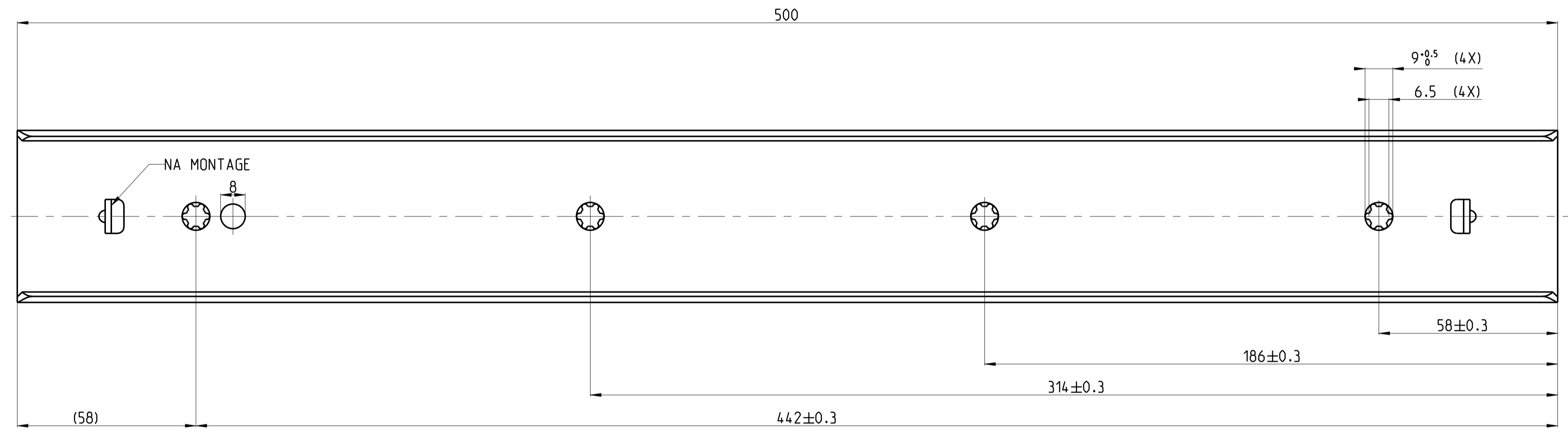
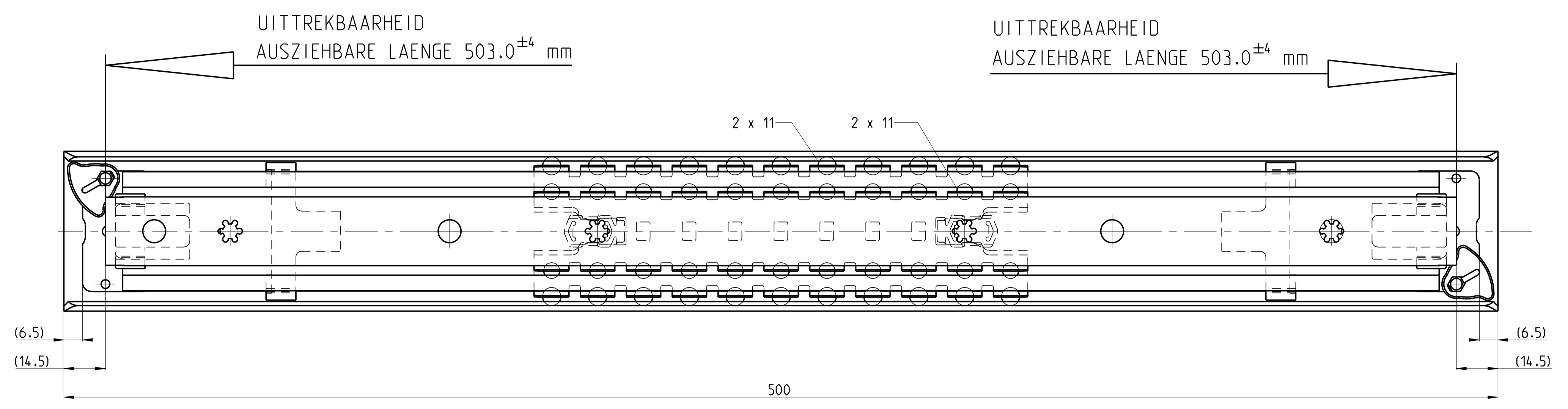
T1-2 = 292
T2-3 = 315



511-12-511-HDB



513-12-511-UA3



PRO/ENGINEER Drawing	Dimensions between marks are guide dimensions. Tolerances unless otherwise stated ±0.5mm.	Thomas Regout Int. B.V. reserves the right to alter non-customer specific specifications without notice.
Was: -		
American projection	DIMENSION mm	MAT.: -
SCALE 1:1	RECHSE UITVOERING = LINKSE UITVOERING	
DATE 16-06-1999	RECHTE SCHIENE = LINKSE SCHIENE	
DESIGNER M. Gilissen		
CHECKED -		
ULF HD 500,0 / 503,0 / 503,0 (17,3mm)		
THOMAS REGOUT INTERNATIONAL BV		Drw. Nr. 112-511 _ 01
© Thomas Regout International BV All rights are reserved.		Format. A1
Production		