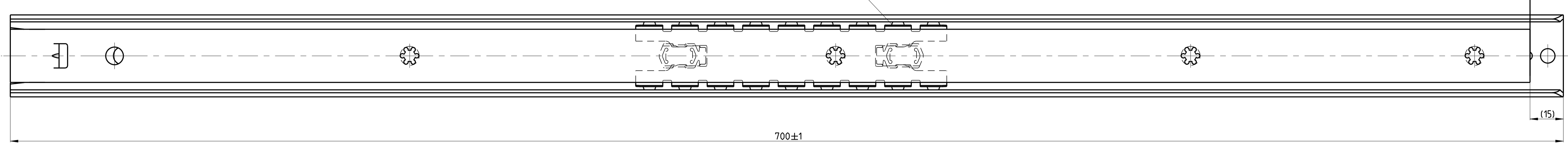
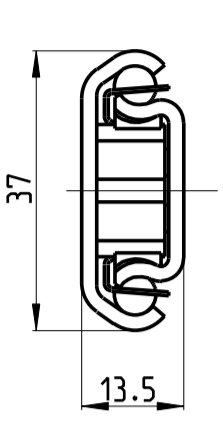




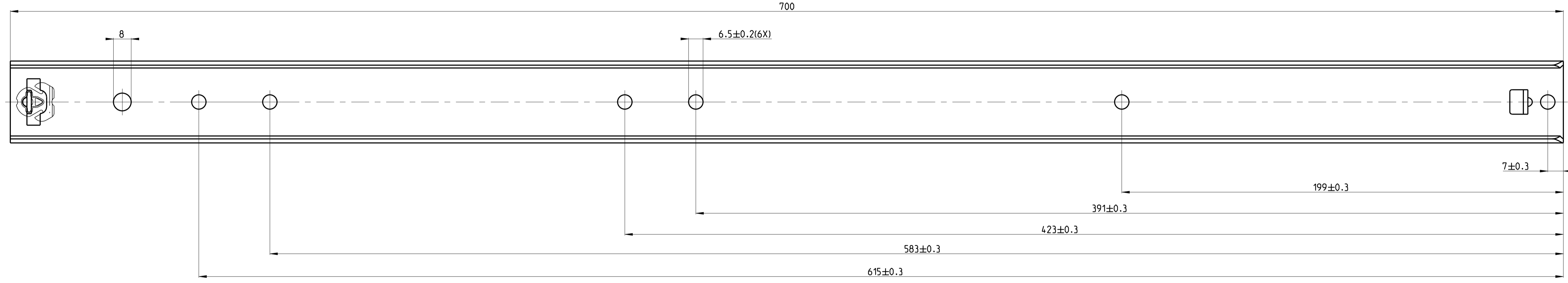
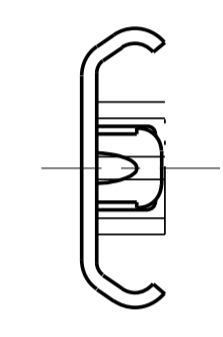
SECTION A-A

EXTENSION 541±2 mm

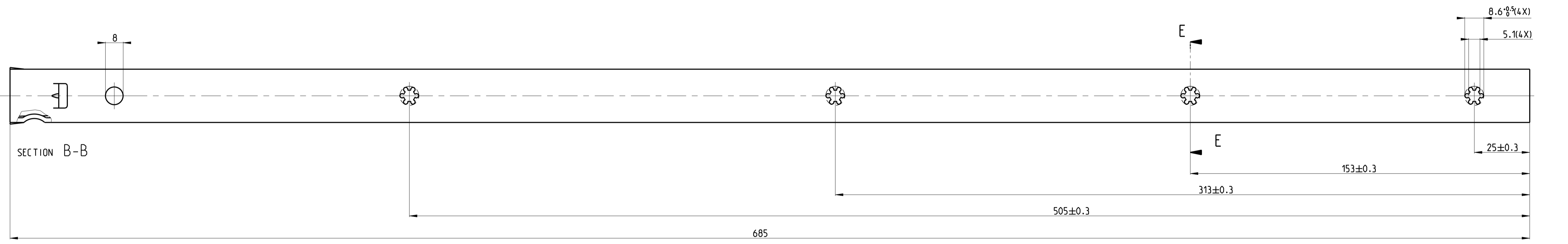
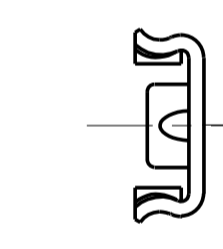
2 x 9



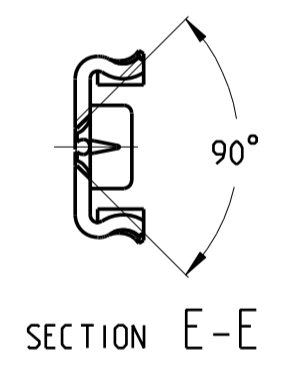
FRONT



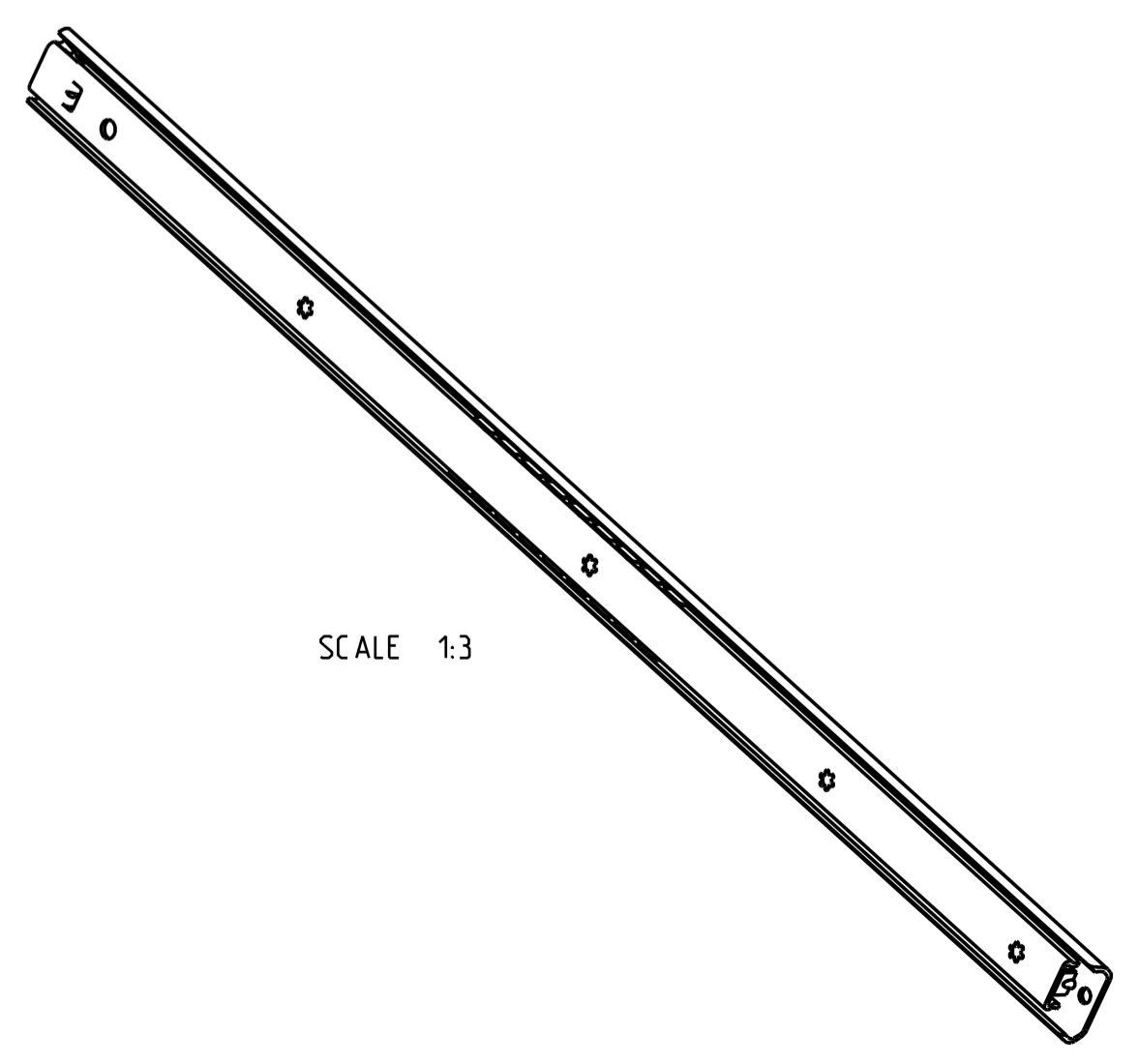
511-07-238-FA1



513-07-238-FA2



SECTION E-E



SCALE 1:3

PRO/ENGINEER Drawing		Dimensions between marks are guide dimensions. Tolerances unless otherwise stated ±0.5mm.		Thomas Regout Int. B.V. reserves the right to alter non-customer specific specifications without notice.	
Was: - -					
American projection	DIMENSION	mm	MAT.:	-	
	SCALE	1:1	REM.:	LEFT HAND SLIDE = RIGHT HAND SLIDE	
	DATE	11-08-1994			
	DESIGNER	Jan Bastings			
	CHECKED	-			
FINN 700,0 / 541,0 (13,5mm)					
THOMAS REGOUT INTERNATIONAL BV				Drw. Nr.	Format.
				107-238 _ 01	A1
© Thomas Regout International BV All rights are reserved.				Production	