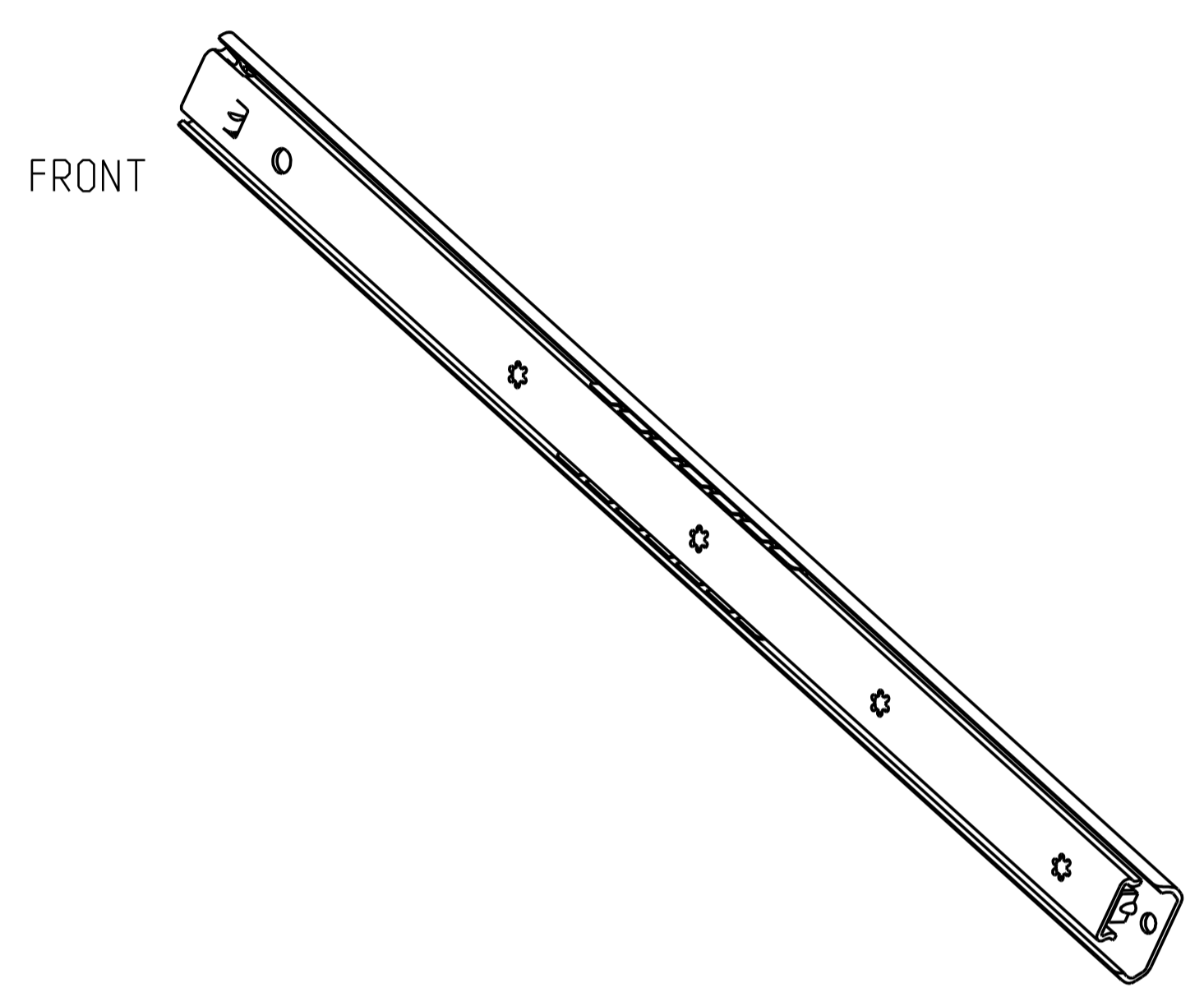
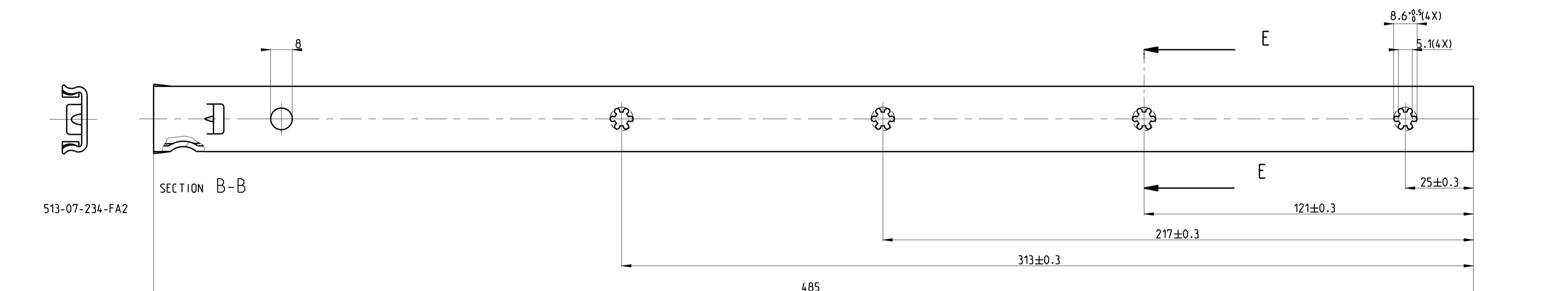
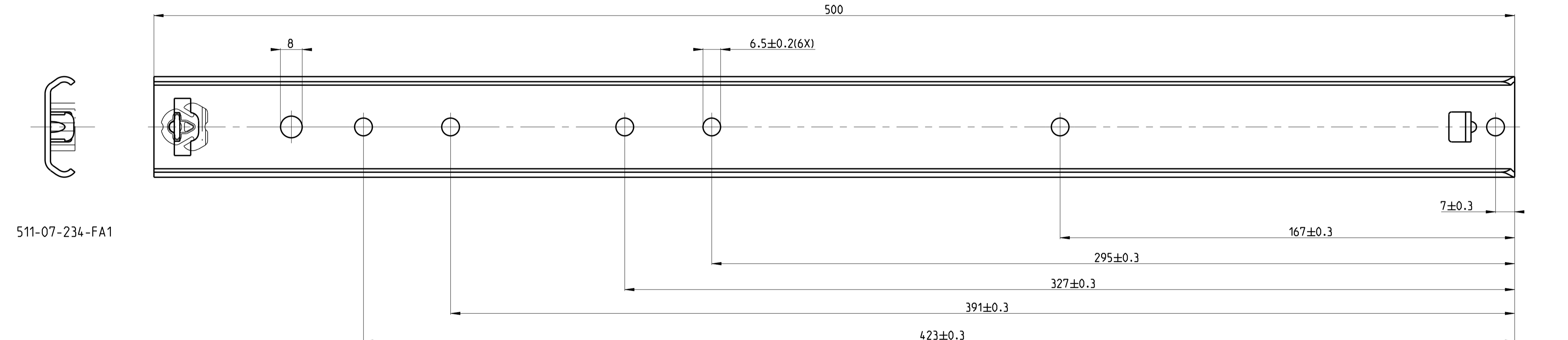
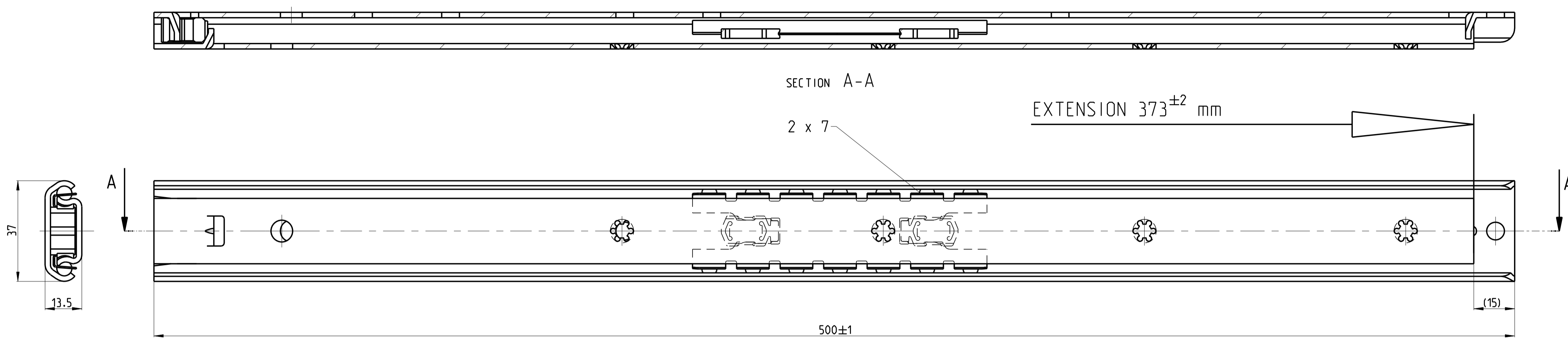
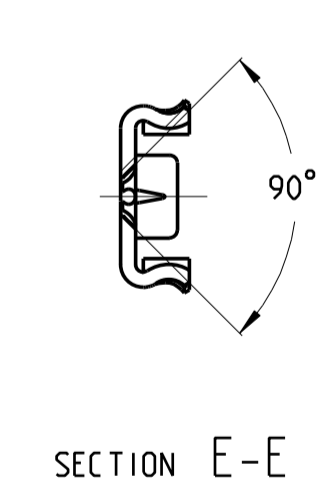


T 1-2 = 373.0



SCALE 1:2



PRO/ENGINEER Drawing		Dimensions between marks are guide dimensions. Tolerances unless otherwise stated ±0.5mm.		Thomas Regout Int. B.V. reserves the right to alter non-customer specific specifications without notice.	
Was: - -					
American projection	DIMENSION	mm	MAT.: -		
	SCALE	1:1	REM.: LEFT HAND SLIDE = RIGHT HAND SLIDE		
	DATE	11-08-1994			
	DESIGNER	Jan Bastings			
	CHECKED	-			
FINN 500.0 / 373.0 (13.5mm)					
THOMAS REGOUT INTERNATIONAL BV			Drw. Nr.	Format.	
			107-234 _ 01	A1	
			Production		

04	-	-	05	-	-	-	-	06	-	-	-	-
01	13-01-11	TEK. IN PRO/ENGINEER GEZET. BOORGATEN VERVANGEN DOOR KRUISGATEN IN FA2 PROFIEL.	Int	ML	02	-	-	03	-	-	-	-