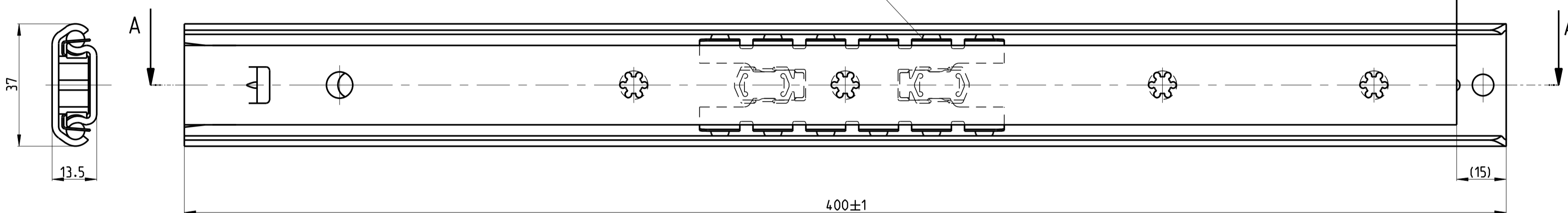




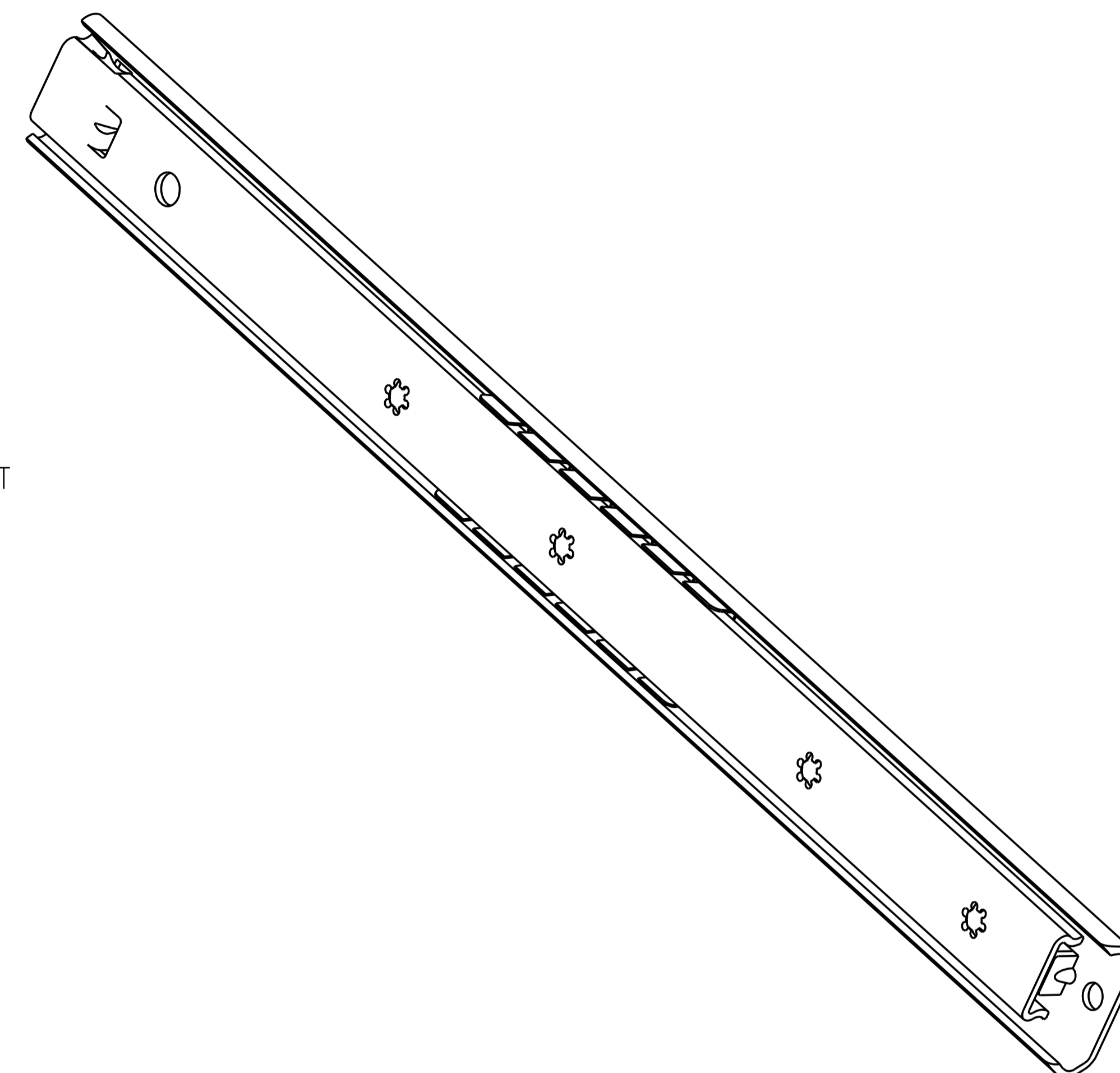
SECTION A-A

EXTENSION 289 \pm 2 mm

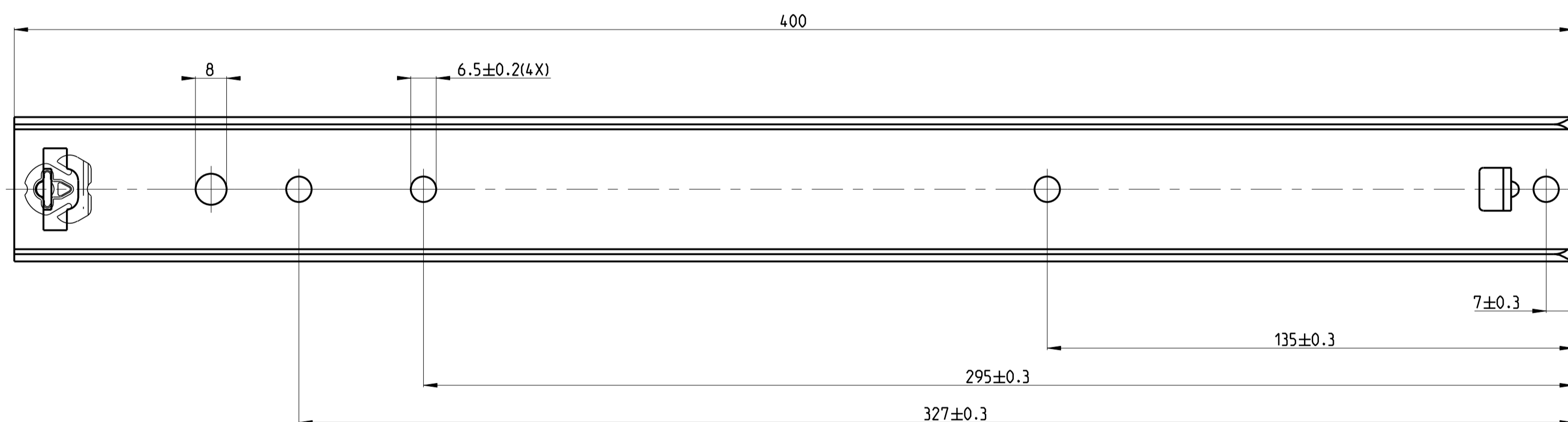
2 x 6



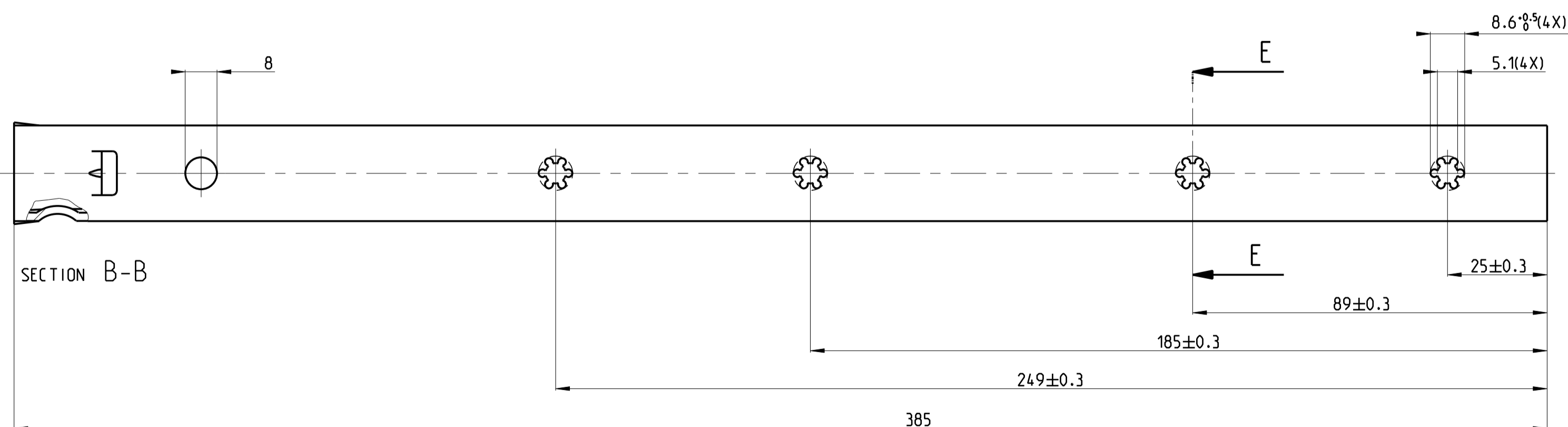
FRONT



SCALE 1:1



511-07-232-FA1



513-07-232-FA2

SECTION E-E

PRO/ENGINEER Drawing	Dimensions between marks are guide dimensions. Tolerances unless otherwise stated \pm 0.5mm.	Thomas Regout Int. B.V. reserves the right to alter non-customer specific specifications without notice.
Was: - -		
American projection	DIMENSION mm	MAT.: -
	SCALE 1:1	REM.: LEFT HAND SLIDE = RIGHT HAND SLIDE
	DATE 11-08-1994	-
	DESIGNER Jan Bastings	-
	CHECKED -	-

FINN 400,0 / 289,0 (13,5mm)



Drw. Nr.

107-232 _ 01

Format.

A1

© Thomas Regout International BV All rights are reserved.

Production

04	-	-	-	05	-	-	-	06	-	-	-	-
01	13-01-11	TEK. IN PRO/ENGINEER. BOORGATEN VERVANGEN DOOR KRUISGATEN IN FA2 PROFIEL.	Int	ML	02	-	-	03	-	-	-	-