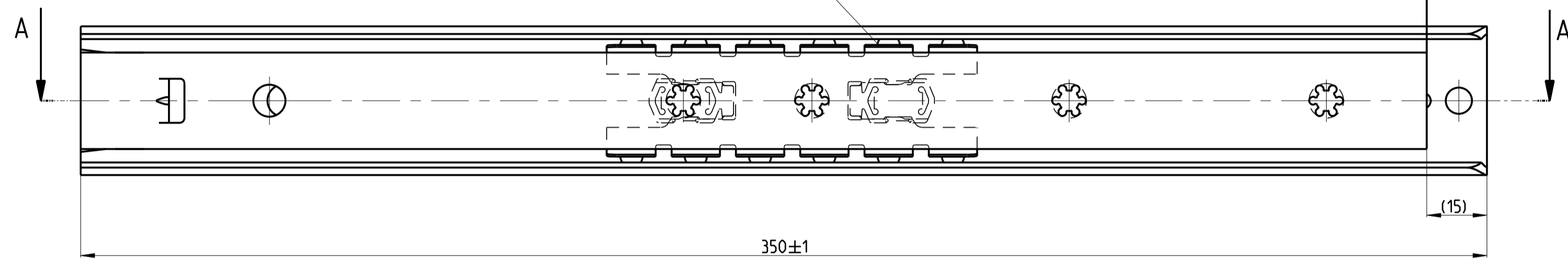
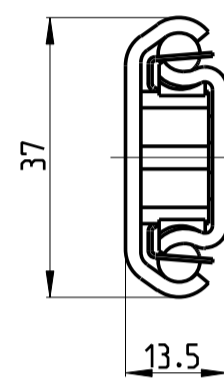




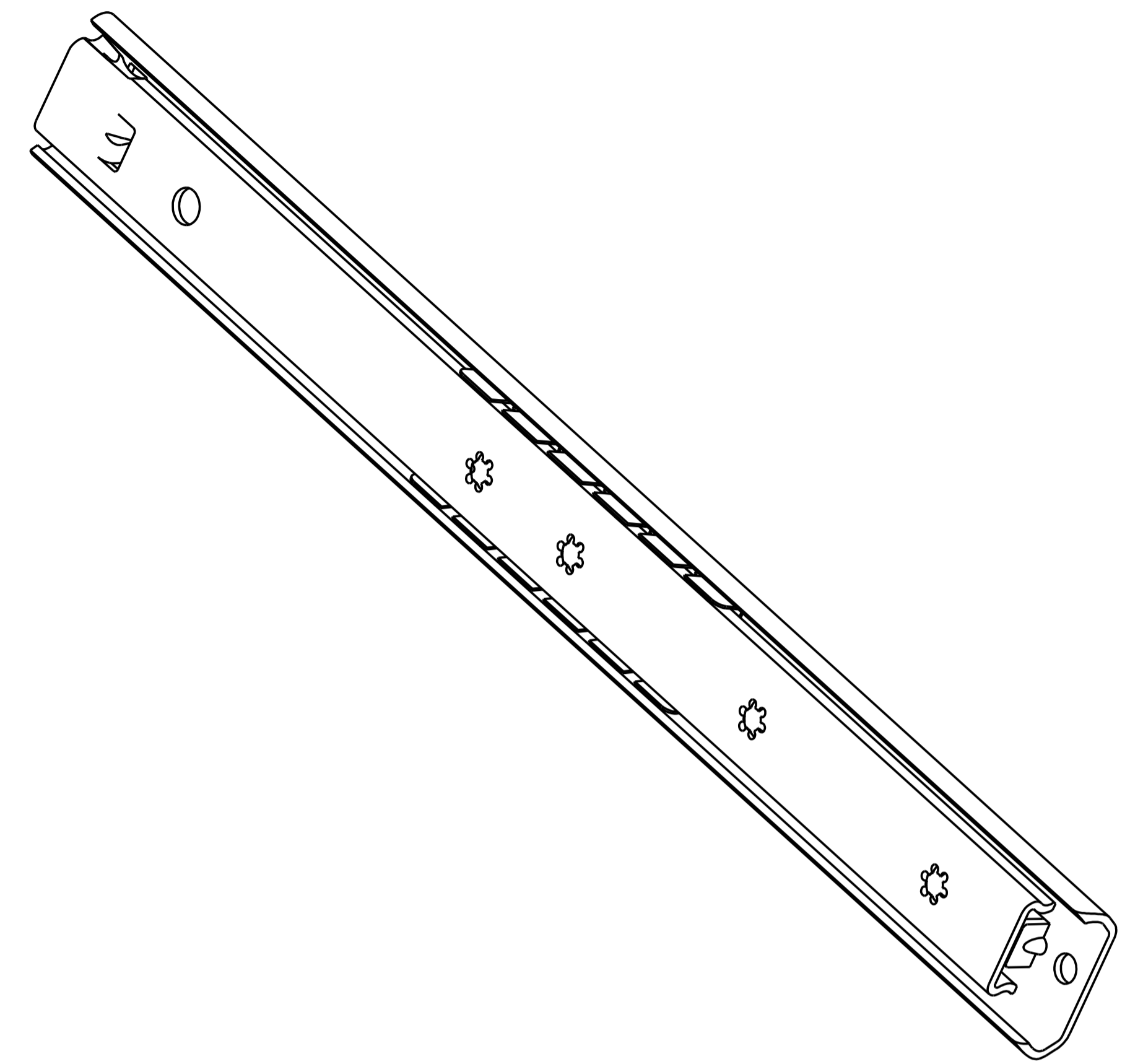
SECTION A-A

EXTENSION $239^{\pm 2}$ mm

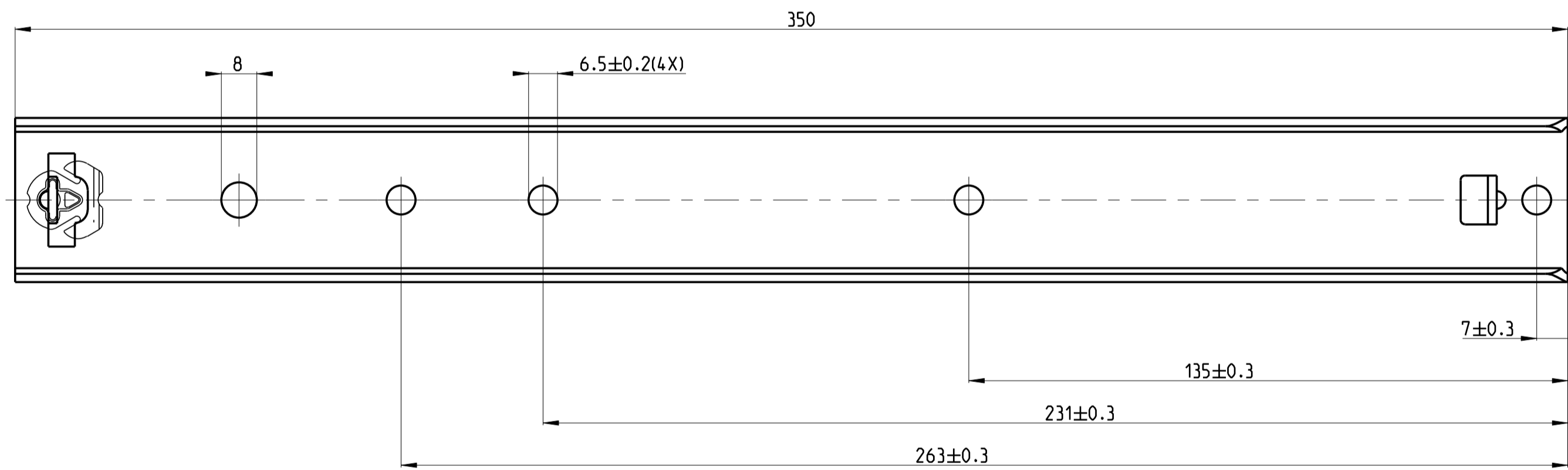
2 x 6



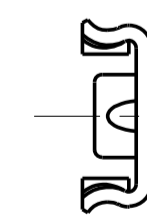
FRONT



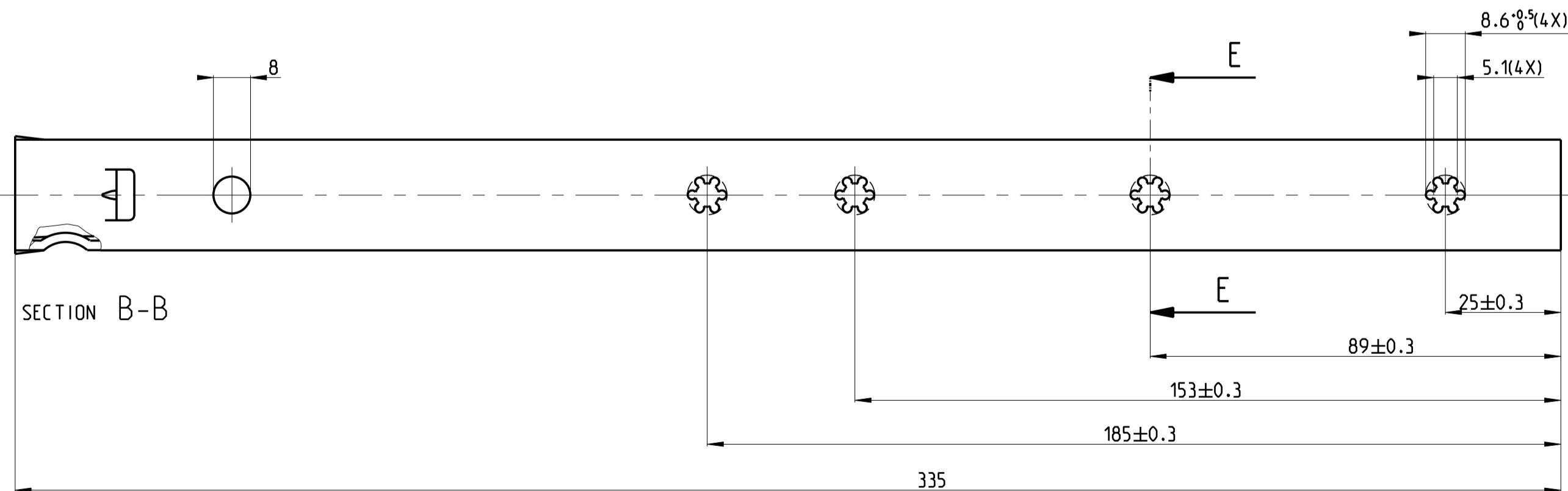
SCALE 1:1



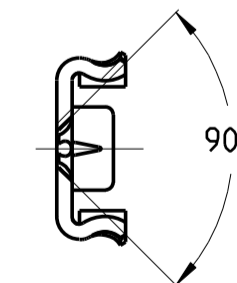
511-07-231-FA1



513-07-231-FA2



SECTION B-B



SECTION E-E

PRO/ENGINEER Drawing	Dimensions between marks are guide dimensions. Tolerances unless otherwise stated ± 0.5 mm.	Thomas Regout Int. B.V. reserves the right to alter non-customer specific specifications without notice.
Was: - -		
American projection	DIMENSION mm	MAT.: -
	SCALE 1:1	REM.: LEFT HAND SLIDE = RIGHT HAND SLIDE
	DATE 11-08-1994	-
	DESIGNER Jan Bastings	-
	CHECKED -	-

FINN 350.0 / 239.0 (13.5mm)



Drw. Nr. 107-231 _ 01

Format. A1

© Thomas Regout International BV All rights are reserved.

Production

04	-	-	-	05	-	-	-	06	-	-	-	-
01	13-01-11	TEK. IN PRO/ENGINEER. BOORGATEN VERVANGEN DOOR KRUISGATEN IN FA2 PROFIEL.	Int	ML	02	-	-	03	-	-	-	-