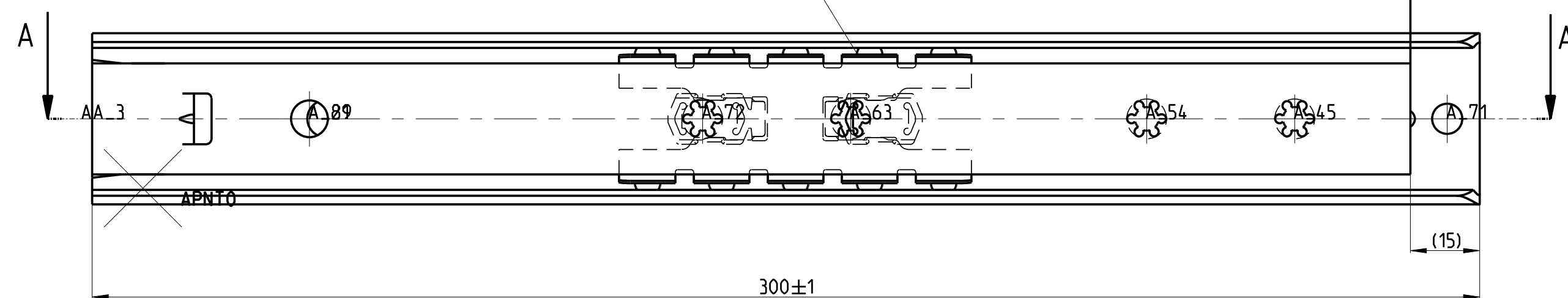
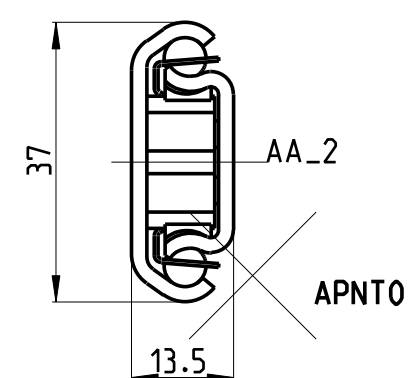
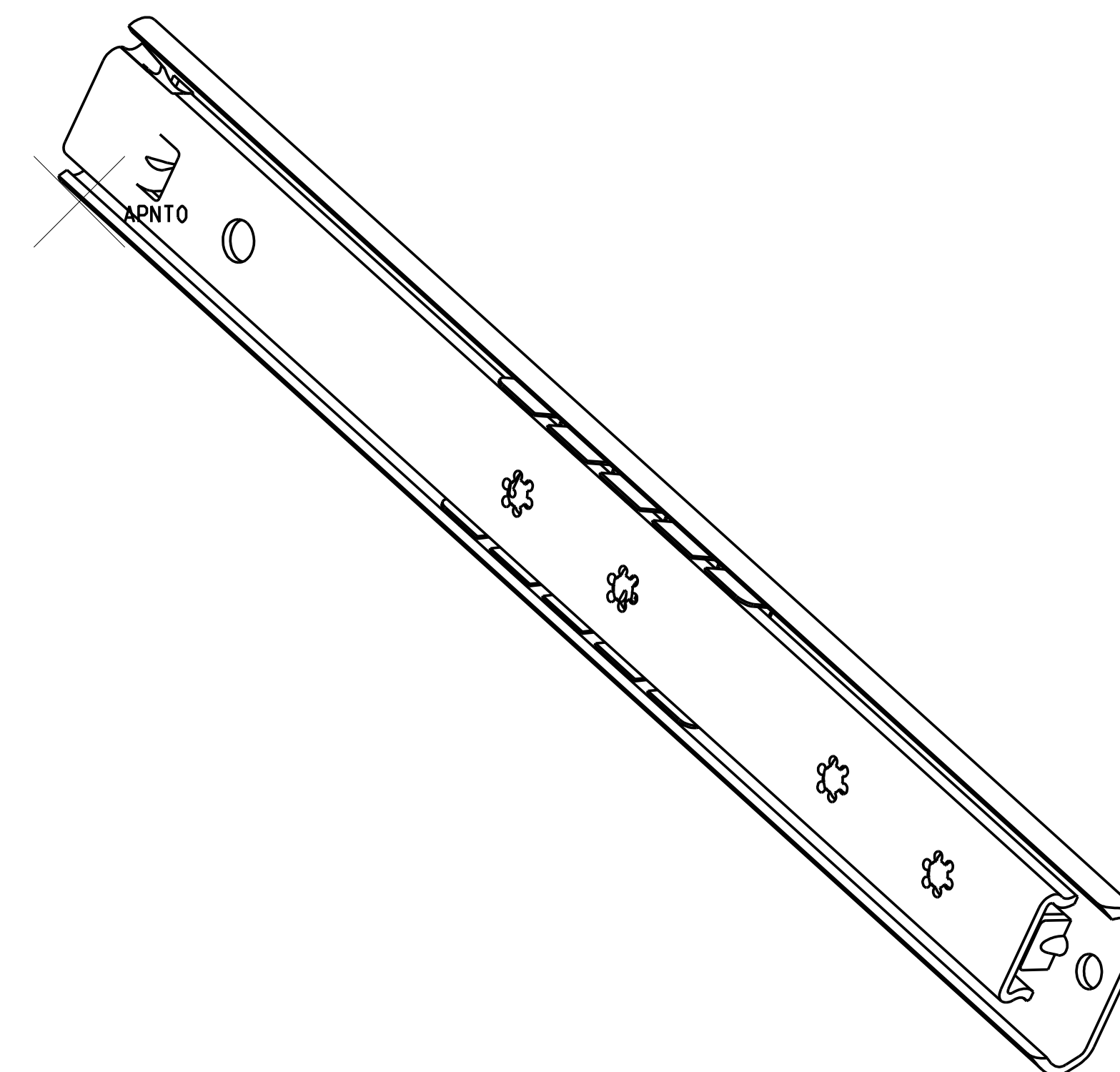


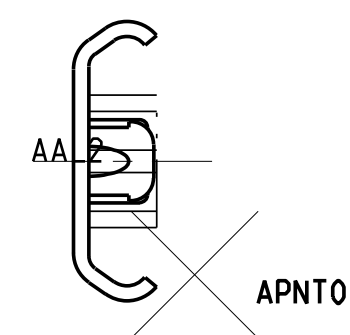
EXTENSION 205 ± 4 mm



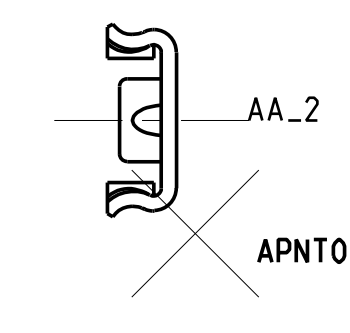
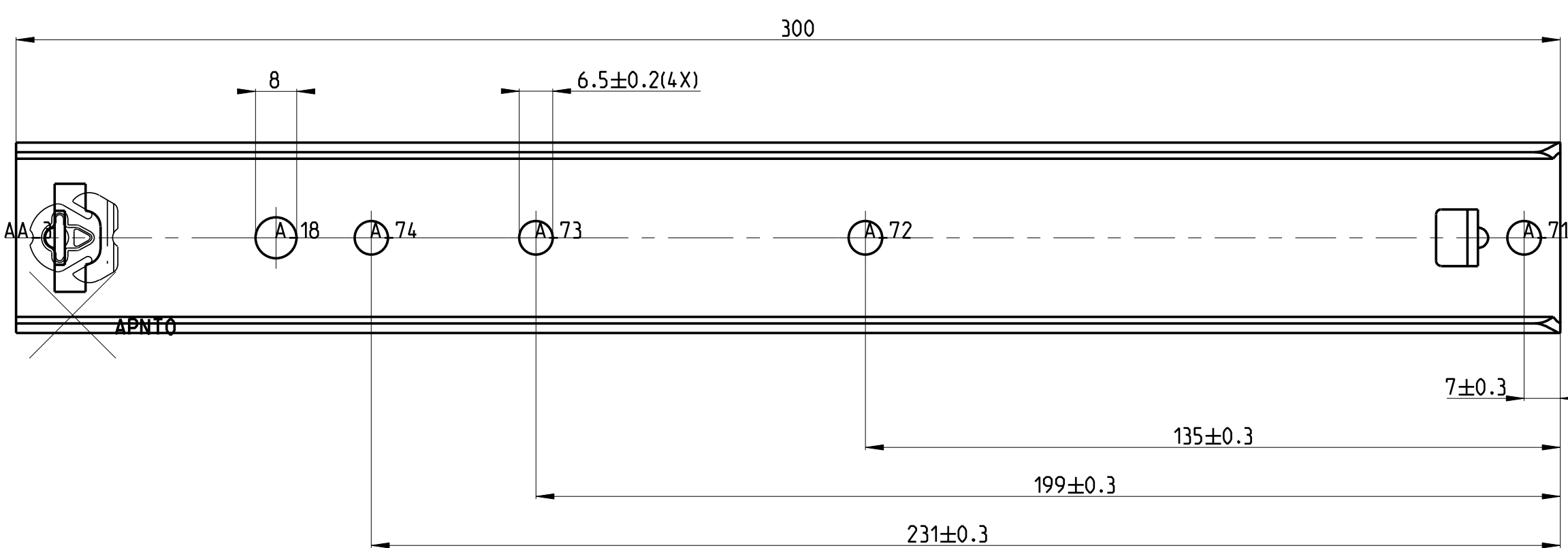
FRONT



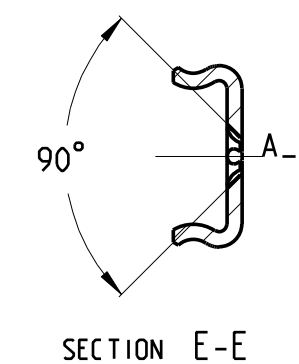
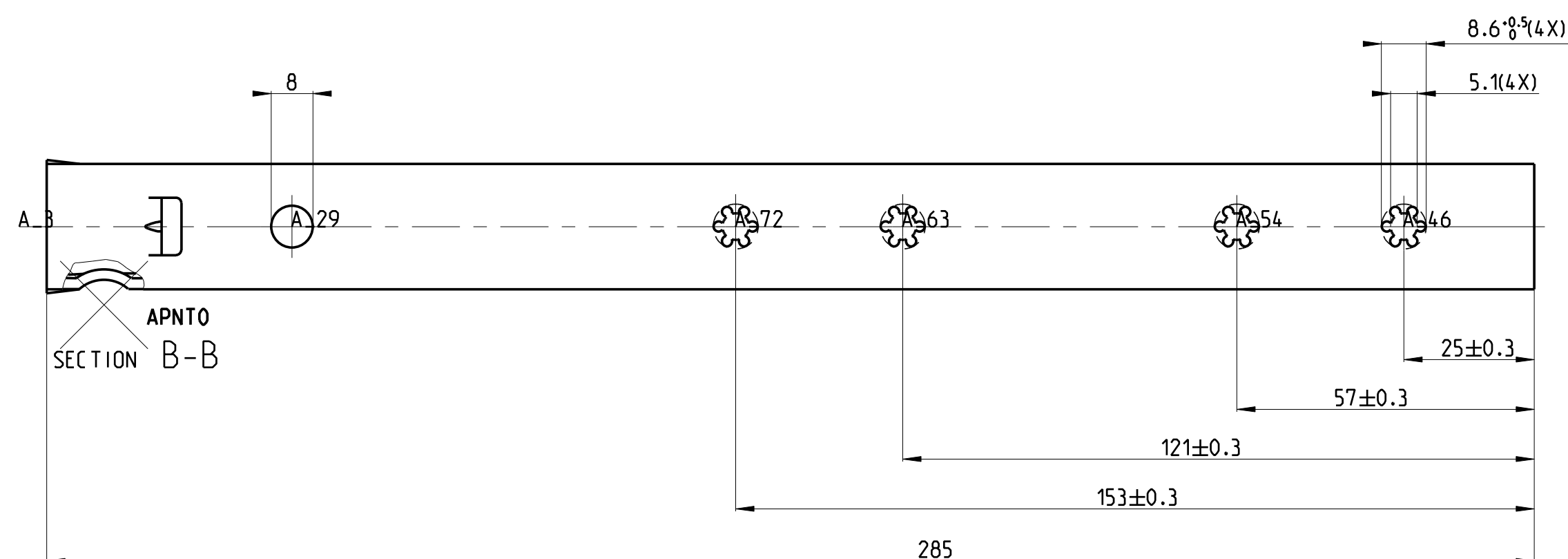
SCALE 1:1



511-07-230-FA1



513-07-230-FA2



PRO/ENGINEER Drawing	Dimensions between marks are guide dimensions. Tolerances unless otherwise stated ± 0.5 mm.		Thomas Regout Int. B.V. reserves the right to alter non-customer specific specifications without notice.
Was: - -			
American projection	DIMENSION	mm	MAT.: -
	SCALE	1:1	REM.: LEFT HAND SLIDE = RIGHT HAND SLIDE
	DATE	11-08-1994	-
	DESIGNER	Jan Bastings	-
	CHECKED	-	-

FINN 300.0 / 205.0 (13.5mm)

THOMAS REGOUT INTERNATIONAL BV

Drw. Nr.

107-230 _ 01

Format.

A1

© Thomas Regout International BV All rights are reserved.

Production

04	-	-	-	05	-	-	-	06	-	-	-	-
01	30-08-10	TEK. IN PRO/ENGINEER. BOORGATEN VERVANGEN DOOR KRUISGATEN IN FA2 PROFIEL.	Int	MM	02	-	-	03	-	-	-	-