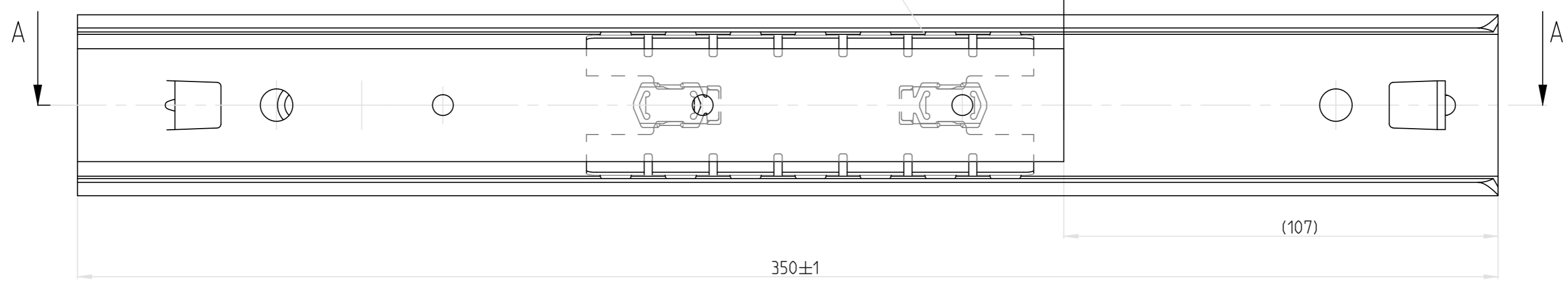
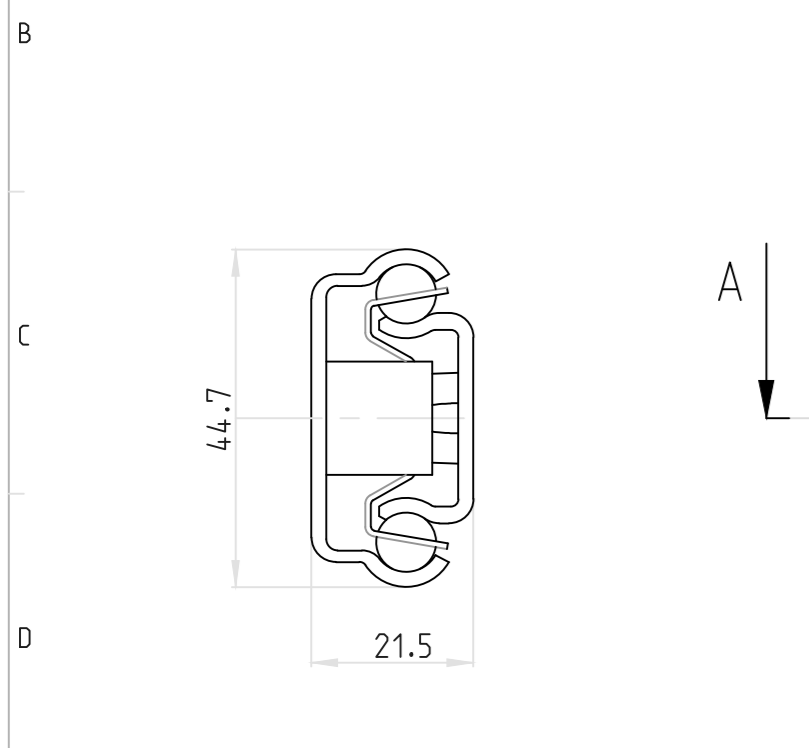


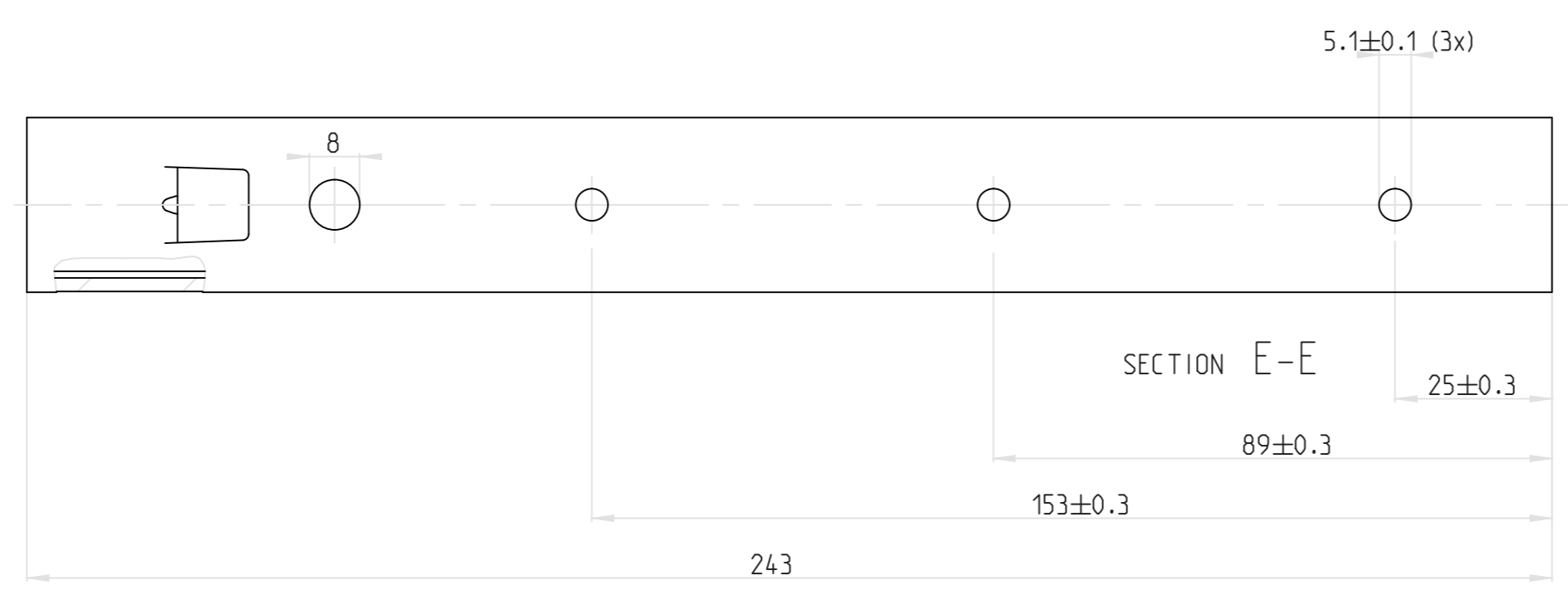
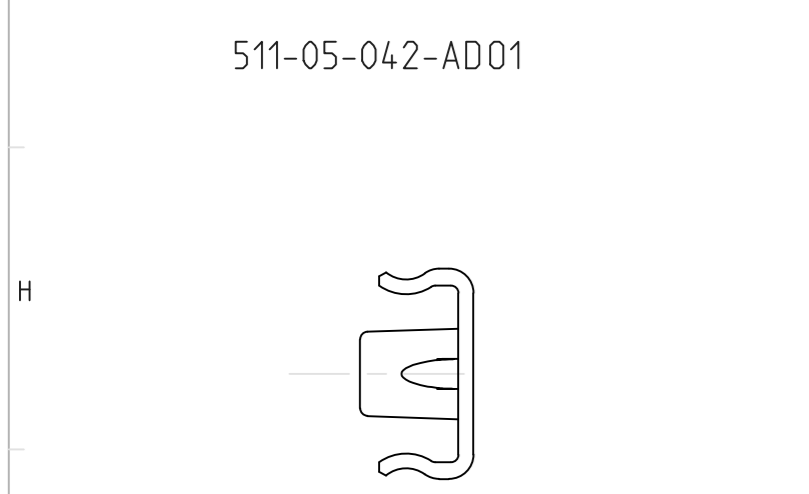
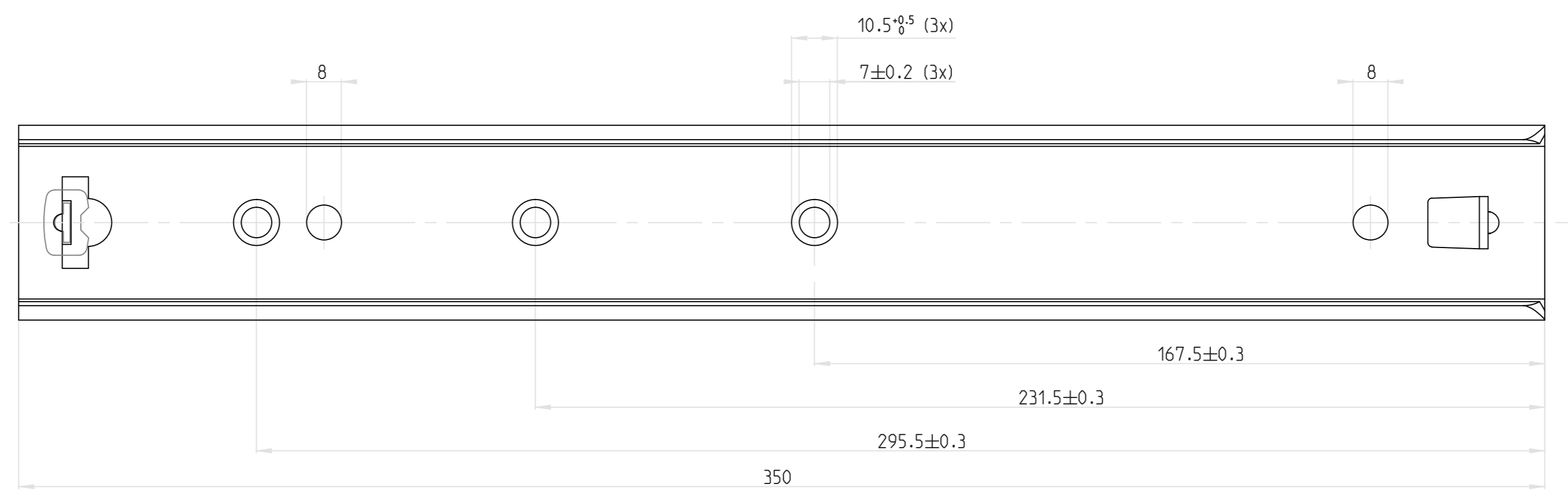
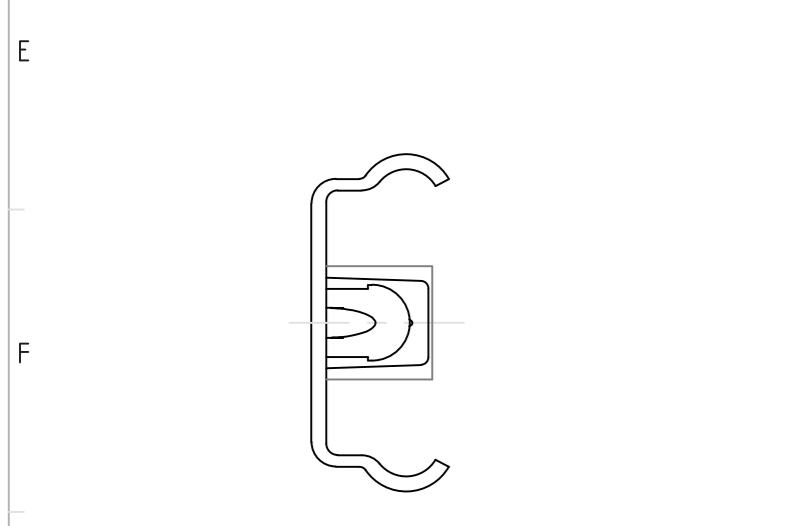
T=224

SECTION A-A

AUSZIEHBARE LAENGE 224.0^{±2} mm
2 x 7



VORDERSEITE



PRO/ENGINEER Drawing	Dimensions between marks are guide dimensions.		Thomas Regout Int. B.V. reserves the right to alter non-customer specific specifications without notice.
Was: - M105-003-00	Tolerances unless otherwise stated ±0.5mm.		
American projection	DIMENSION	mm	MAT.: -
	SCALE	1:1	REM.: RECHTE SCHIENE = LINKE SCHIENE.
	DATE	24-08-1993	-
	DESIGNER	L. Hermans	-
	CHECKED	-	-

ADO 350,0 / 224,0 (21,5mm)

05	-	-	-	-	06	-	-	-	-
03	110208	GAT 8mm. OP 40mm VOORKANT TOEGEVOEGD.	ML	INT	04	-	-	-	-
01	13-12-05	Tekening in proE gezet + ophanggat AK 1-profiel vervalt	M.B	Int	02	05-06-07	Ankerluitrubber toegepast ivm met automatische montage (geen sluiting)	M.B.	Int

THOMAS REGOUT INTERNATIONAL BV Drw. Nr. 105-042 _ 03 Format. A2
 © Thomas Regout International BV All rights are reserved. Production