

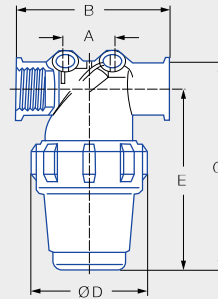
Strainers

Max. 12 bar



Standard strainer for industrial application

- For operating pressure levels up to 12 bar.
With large filter surfaces
- Mesh size is colour coded:
 - 0.6 mm = red
 - 0.3 mm = blue
 - 0.2 mm = green
- Easy handling
- Robust version
- Slender design



| Type | | Code BSPP | Dimensions [mm] | | | | | Weight [g] |
|--------|--------|-----------|-----------------|-------|-------|-------|-------|------------|
| | | | A | B | C | S | Ø D | |
| S.GA2. | S.GI2. | 1/2 | 27.0 | 97.0 | 140.0 | 118.0 | 74.0 | 200.0 |
| S.GA3. | S.GI3. | 3/4 | 27.0 | 97.0 | 140.0 | 118.0 | 74.0 | 200.0 |
| S.GA4. | S.GI4. | 1 | 40.0 | 112.0 | 175.0 | 143.0 | 86.0 | 300.0 |
| S.GA5. | S.GI5. | 1 1/4 | 39.0 | 146.0 | 280.0 | 239.0 | 116.0 | 630.0 |
| S.GA6. | S.GI6. | 1 1/2 | 39.0 | 146.0 | 280.0 | 239.0 | 116.0 | 630.0 |

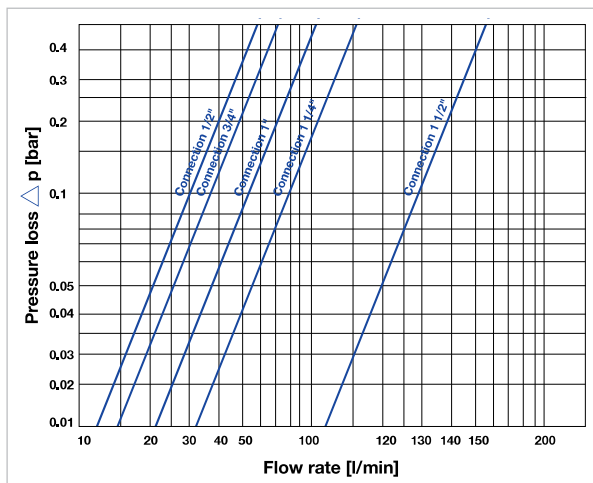
Pressure/Temperature ranges

| Max. temperature [°C] | p _{max} [bar] |
|-----------------------|------------------------|
| 20 | 12 |
| 60 | 7 |

| | Ordering no. | | | Standard strainer insert/Standard filter | |
|---------------|--------------|------|---------------------|--|--------------------|
| | Type | Size | Mat. no. | Mesh size [mm] | Type (blue) |
| | | | 53 Polypropylene | | |
| Male thread | S.GA2. | 012. | ● | 0.3 | S.000.012.00.26.03 |
| | S.GA3. | 034. | ● | 0.3 | S.000.012.00.26.03 |
| | S.GA4. | 100. | ● | 0.3 | S.000.100.00.26.03 |
| | S.GA5. | 114. | ● | 0.3 | S.000.114.00.26.03 |
| | S.GA6. | 112. | ● | 0.3 | S.000.114.00.26.03 |
| Female thread | S.GI2. | 012. | ● | 0.3 | S.000.012.00.26.03 |
| | S.GI3. | 034. | ● | 0.3 | S.000.012.00.26.03 |
| | S.GI4. | 100. | ● | 0.3 | S.000.100.00.26.03 |
| | S.GI5. | 114. | ● | 0.3 | S.000.114.00.26.03 |
| | S.GI6. | 112. | ● | 0.3 | S.000.114.00.26.03 |

| Optional strainer inserts | | | |
|---------------------------|--------------------|----------------|--------------------|
| Mesh size [mm] | Type (red) | Mesh size [mm] | Type (green) |
| 0.6 | S.000.012.00.26.06 | 0.2 | S.000.012.00.26.02 |
| 0.6 | S.000.012.00.26.06 | 0.2 | S.000.012.00.26.02 |
| 0.6 | S.000.100.00.26.06 | 0.2 | S.000.100.00.26.02 |
| 0.6 | S.000.100.00.26.06 | 0.2 | S.000.100.00.26.02 |
| 0.6 | S.000.114.00.26.06 | 0.2 | S.000.114.00.26.02 |
| 0.6 | S.000.114.00.26.06 | 0.2 | S.000.114.00.26.02 |
| 0.6 | S.000.012.00.26.06 | 0.2 | S.000.012.00.26.02 |
| 0.6 | S.000.012.00.26.06 | 0.2 | S.000.012.00.26.02 |
| 0.6 | S.000.100.00.26.06 | 0.2 | S.000.100.00.26.02 |
| 0.6 | S.000.100.00.26.06 | 0.2 | S.000.100.00.26.02 |
| 0.6 | S.000.114.00.26.06 | 0.2 | S.000.114.00.26.02 |
| 0.6 | S.000.114.00.26.06 | 0.2 | S.000.114.00.26.02 |

Notice: Standard strainer insert (blue) included in the scope of supply.



Correction factors for Δp

| Viscosity [mPa·s] | Basket – mesh size [mm] | | |
|-------------------|-------------------------|-----|-----|
| | 0.6 | 0.3 | 0.2 |
| 1.0 (water) | 1.0 | 1.2 | 1.4 |
| 100.0 | 1.6 | 1.9 | 2.0 |
| 200.0 | 1.7 | 2.2 | 2.3 |

Ordering Type + Size + Material no. = Ordering no.
example: S.GA2. + 012. + 53 = S.GA2.012.53



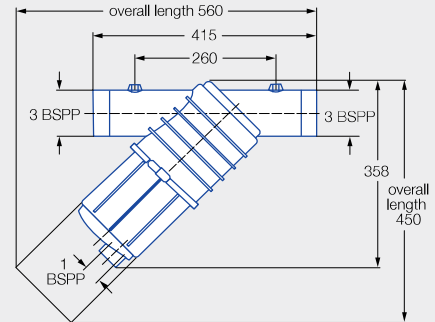
Strainers

Max. 8 bar



Strainer with high flow rate and low resistance

- Integrated flow deflector prevents clogging of the filter insert
- Dirt particles can be removed via an offset outlet port
- Prepared for the install of two pressure gauges



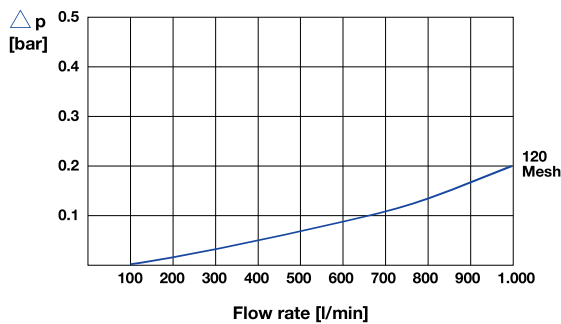
Strainer with screen

| Ordering no. | | | Screen mesh size [µm/mesh] |
|--------------|------|---------------|-------------------------------|
| Type | Size | Mat. no. | |
| | | 53 | |
| | | Polypropylene | |
| S.GA2. | 300. | ● | 594/32 |
| S.GA3. | 300. | ● | 365/50 |
| S.GA4. | 300. | ● | 173/100 |
| S.GA5. | 300. | ● | 144/120 |

Screen

| Ordering no. | | | | Screen mesh size [µm/mesh] |
|--------------|---------|------------------------|-------------------------------|-------------------------------|
| Type | Size | Mat. no. | | |
| | | 26 | 5A | |
| | | Stainless steel 304 | Polyester/ Stainless steel | |
| S.002. | 300.00. | ● | | 594/32 |
| S.003. | 300.00. | ● | | 365/50 |
| S.004. | 300.00. | ● | | 173/100 |
| S.005. | 300.00. | | ● | 144/120 |

Pressure loss chart



Technical data

| | |
|-----------------------------|---------------------|
| Screening surface | 860 cm ² |
| Screening insert Ø | 145 mm |
| Height of screening insert | 320 mm |
| Inflow/Outflow port Ø | 3" |
| Pressure gauge connection Ø | 1/4 BSPP |
| Max. operating pressure | 8 bar |

Ordering example for strainer:

Ordering Type + Size + Material no. = Ordering no.
example: S.GA2. + 300. + 53 = S.GA2.300.53

Ordering example for strainer insert:

Ordering Type + Size + Material no. = Ordering no.
example: S.002. + 300.00. + 26 = S.002.300.00.26