

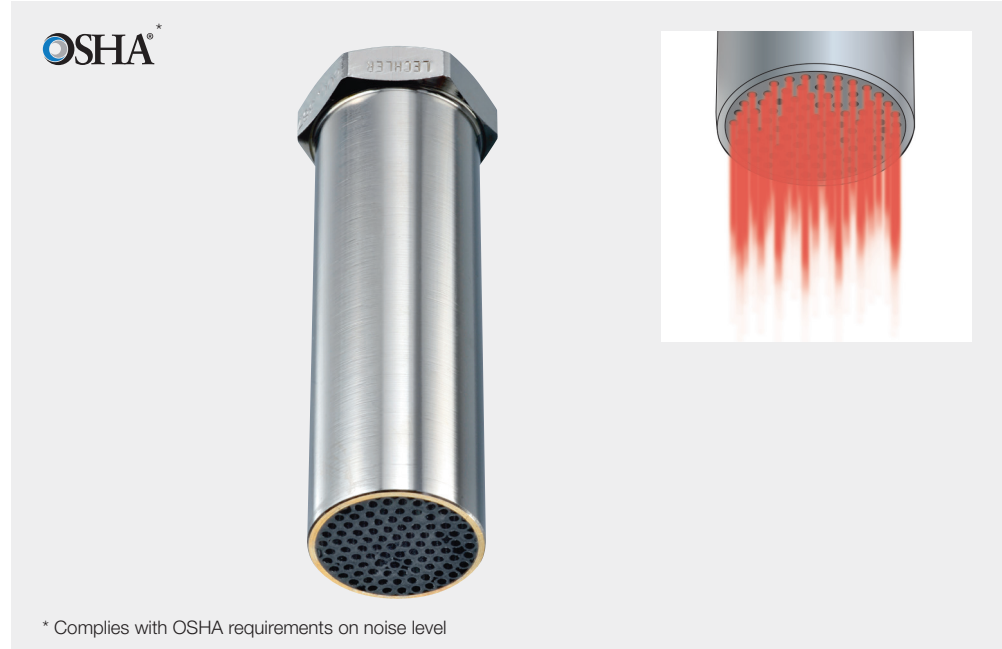


Maxi multi-channel round jet nozzles for air

Series 600.387.35

Series 600.387.35

The maxi multi-channel round jet nozzles of the 600.387 series generate a circular, very powerful air jet. Due to the large nozzle cross-section, these nozzles focus large quantities of air into a concentrated jet that has a powerful impact even over large distances. In spite of this, the noise level still remains low.



Cost savings

15%



Noise reduction

16%



Materials

Brass nickel plated,
PVC



Blowing force

12.8 N at 2 bar



Noise level

93 db(A) at 2 bar



Air consumption

$V_{LN}=157 \text{ m}^3/\text{h}$ at 2 bar



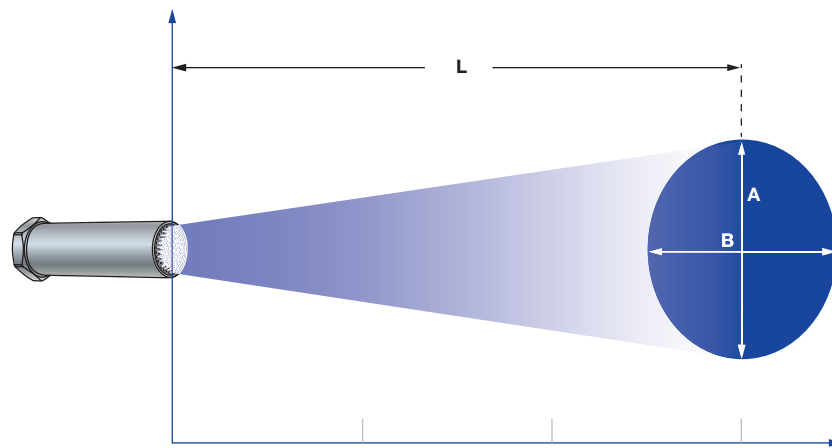
Pressure

$p_{\text{max}} = 6 \text{ bar}$



Max. temperature

50 °C

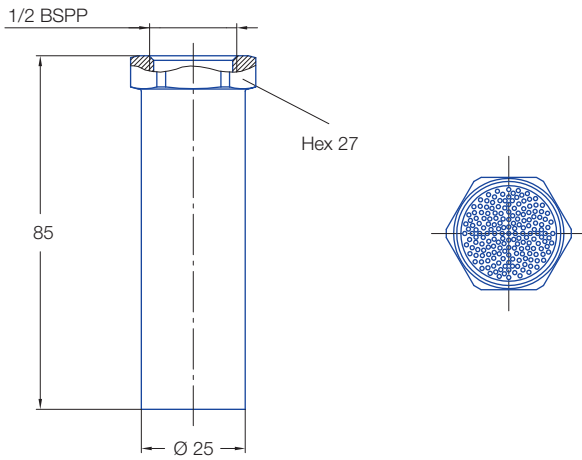


Jet pattern of 600.387 nozzle series

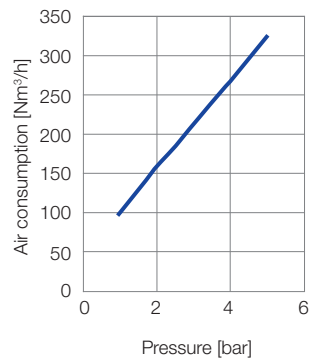
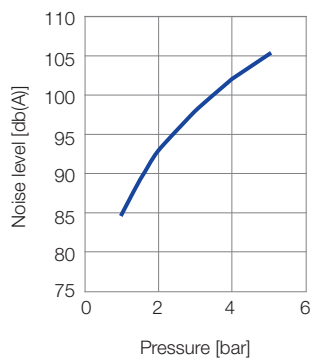
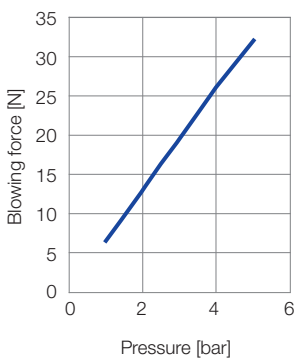
Pressure:	1 bar	3 bar	5 bar
Distance L [mm]:	800	800	800

Jet dimensions at L

A [mm]:	220	255	310
B [mm]:	220	255	310



Technical data



Ordering no.		
Type	Mat. no.	Code
	35 Brass nickel plated, PVC	1/2 BSPP
600.387.	○	AH

Example **Type** + **Mat. no.** + **Code** = **Ordering no.**
of ordering: 600.387. + 35 + AH = 600.387.AH.00