

# Stainless steel pressure gauges with capsule element

Nominal size ND 63  
Accuracy class 1,6

according to DIN EN 837-3

### Characteristics

- Zero adjustment by dial plate
- Solid version
- High reliability and long-term stability

### Applications

- For measuring of small pressures
- Used for all gaseous and dry pressure media, which are not attack copper alloys.

### Instrument range

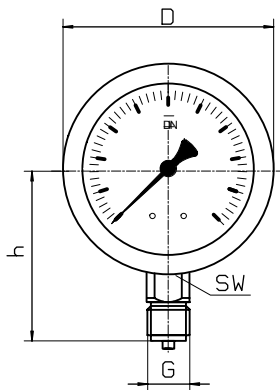
- Chemical and petrochemical industry
- Pharmaceutical industry



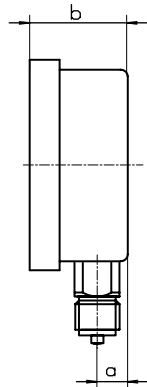
Model and ND	MK-30 63	MK-34 63
Connections	bottom	back, centric
Ranges in mbar	0...25, 40, 60, 100, 160, 250, 400, 600 -25 / 0, -40 / 0, -60 / 0, -100 / 0, -160 / 0, -250 / 0, -400 / 0, -600 diverse mano-vacuum ranges	
Applications	Constant load : up to full scale value Alternating load : up to full scale value Short time : overload capacity 1,3 x full scale value <b>short time !</b>	
Case	CrNi-steel	
Bezel	CrNi-steel	
Window	Laminated safety glass	
Dial	Aluminium white, scale and imprint black	
Pointer	Aluminium, black	
Movement	CrNi-steel	
Measuring element	CrNi-steel	
Pressure connection	SW 14, CrNi-steel	
Connection thread	G 1/4 B	
Protection type	IP 54 according to EN 60529 / IEC 529	
Temperatures	Medium: -20°C to 80°C, ambient: -25°C to 60°C	
Weight	0,22 kg	0,22 kg

# Dimensions and Design

Connection bottom

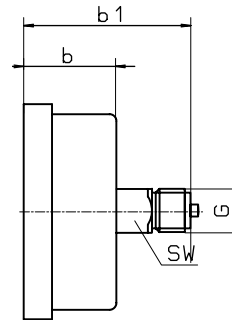


Front flange



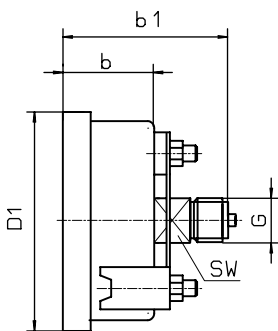
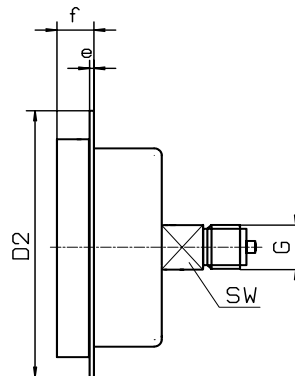
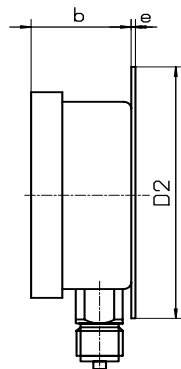
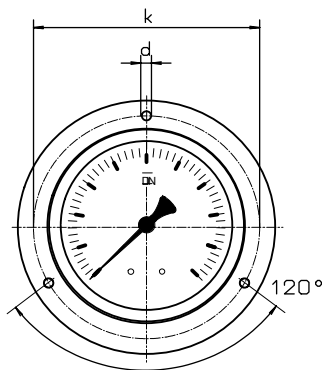
Rear flange

Connection, back centric



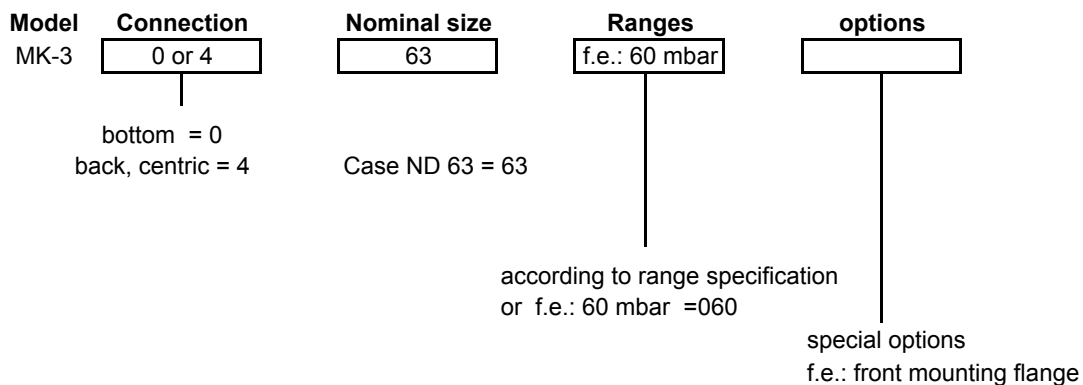
Front flange

with triangle bezel and U-clamp,



Dimensions in mm														
Model	NG	D	a	b	b1	h		D2	e	f	k	d	sw	G
MK-30	63	68,5	9,5	39	-	53		85	3	24	75	3,7	14	G 1/4 B
MK-34	63	68,5	-	39	66	-		85	3	24	75	3,7	14	G 1/4 B

## Model specification:



# All stainless steel pressure gauges with capsule element

Nominal size ND 100 and 160  
Accuracy class 1.6

according to DIN EN 837-3

## Features

High reliability and long service life  
Overload protection ,up to x 10  
Zero adjustment  
Copper alloy measuring system

## Applications

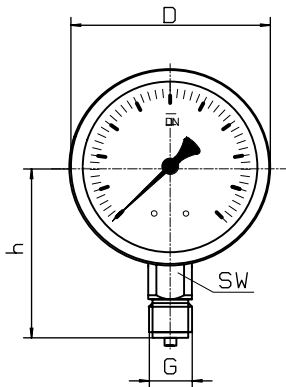
Pharmaceutical industry  
filter status monitoring  
furnace monitoring  
air-conditioning  
vacuum measurements and laboratory applications  
leakage tests, filter and status monitoring,



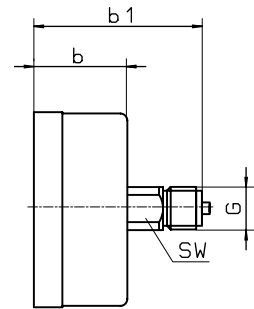
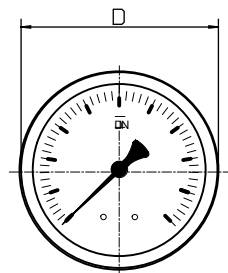
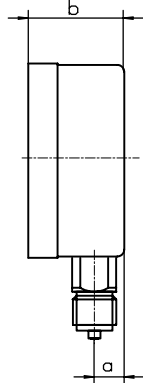
Models and ND	MK-30 100	MK-34 100	MK-30 160	MK-34 160
Connection	bottom	back, centric	bottom	back, centric
Ranges in mbar	0...4, 6, 10, 16, 25, 40, 60, 100, 160, 250, 400, 600 -4 / 0, -6 / 0, -10 / 0, -16 / 0, -25 / 0, -40 / 0, -60 / 0, -100 / 0, -160 / 0, -250 / 0, -400 / 0, -600 several other ranges (-100..+150) a. o.			
Applications	Constant load : up to full scale value Alternating load : up to 0,9 x full scale value short-time :overload capacity 1.3 x			
Case	stainless steel 1.4301			
Bezel	stainless steel 1.4301			
Window	Laminated safety glass			
Dial	Aluminium white, scale and imprint black			
Pointer	Aluminium, black			
Movement	Stainless steel			
Measuring element	Stainless steel 1,4571			
Pressure connection	SW 22, Stainless steel 1.4571			
Connectionthread	G 1/2 B			
Protection	IP 54 to EN 60529 / IEC 529			
Temperature	Medium: -20°C to 80°C, ambient -25°C to 60°C			
Weight	0,6 kg		1,0 kg	

# Dimensions

Connection bottom



Connection back , centric

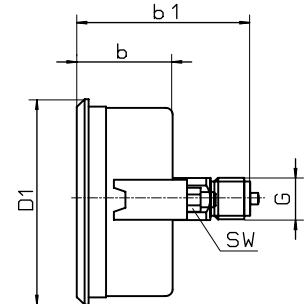
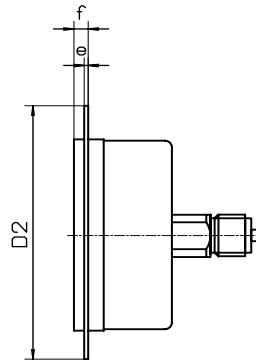
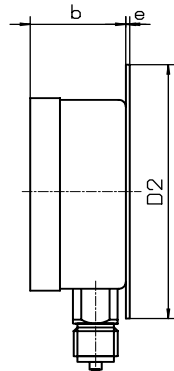
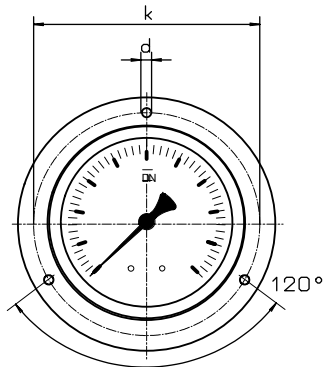


Front flange

Rear flange

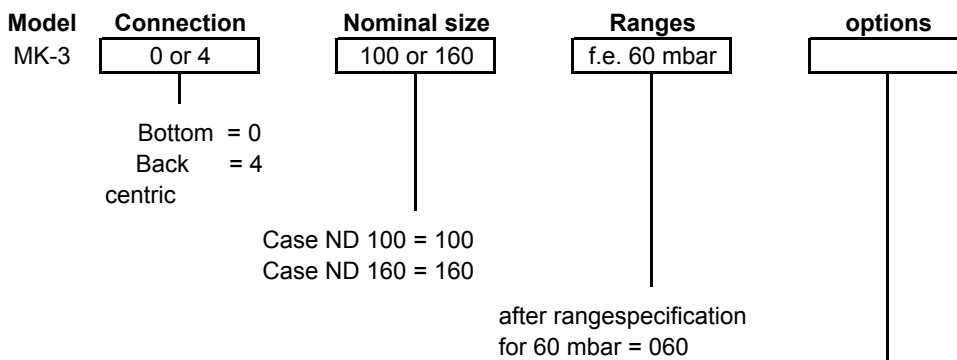
Front flange

with triangle bezel and U-clamp,



Dimensions in mm														
Model	NG	D	a	b	b1	h	D1	D2	e	f	k	d	sw	G
MK-30	100	101	15	49	-	86	107	132	2	6	116	5	22	G 1/2 B
MK-34	100	101	-	49	85	-	107	132	2	6	116	5	22	G 1/2 B
MK-30	160	160	15	51	-	118	-	196	3	8	178	5,6	22	G 1/2 B
MK-34	160	160	-	51	86	-	166	196	3	8	178	5,6	22	G 1/2 B

## Modelspecification



for example : front mounting flange