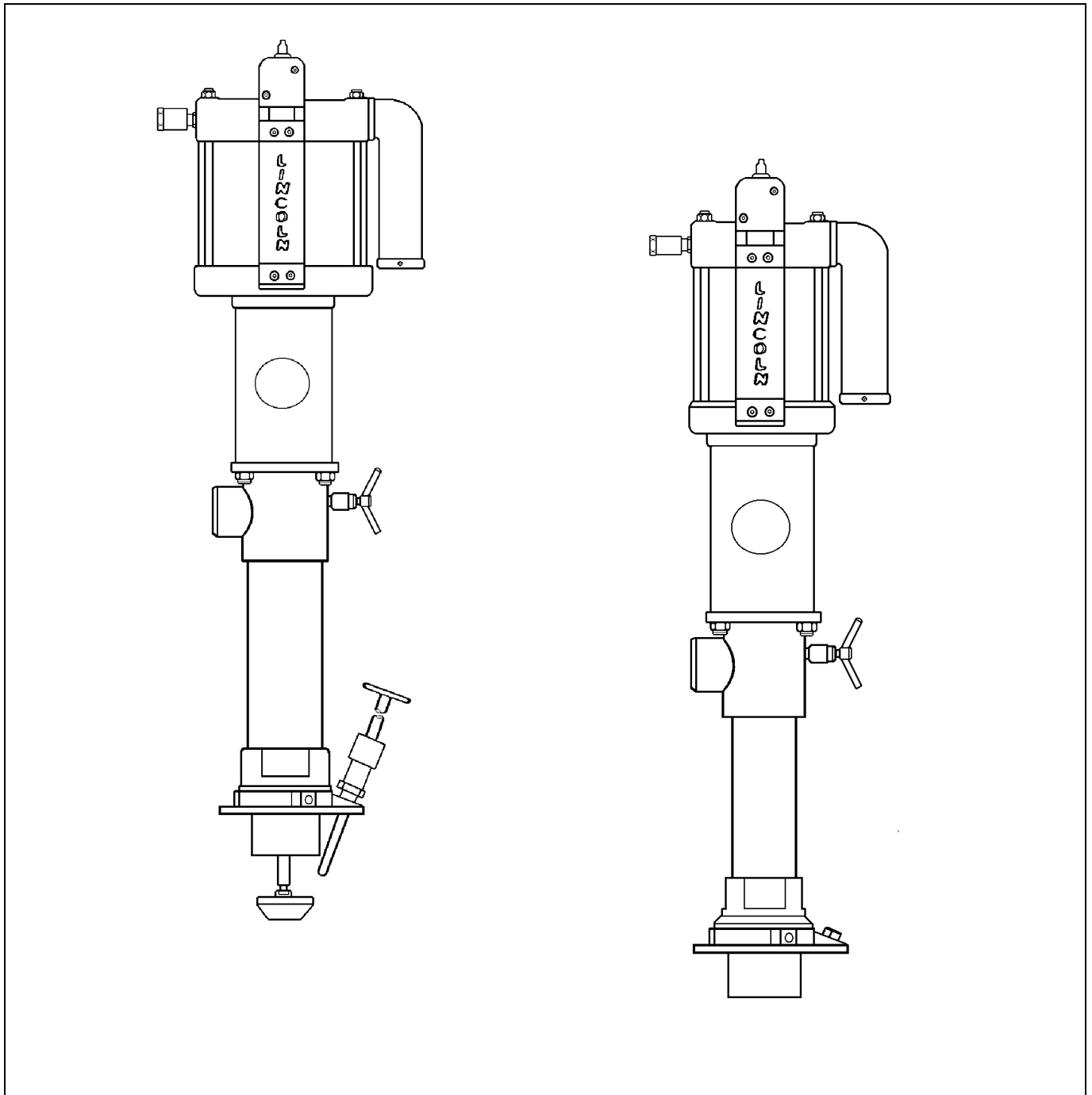
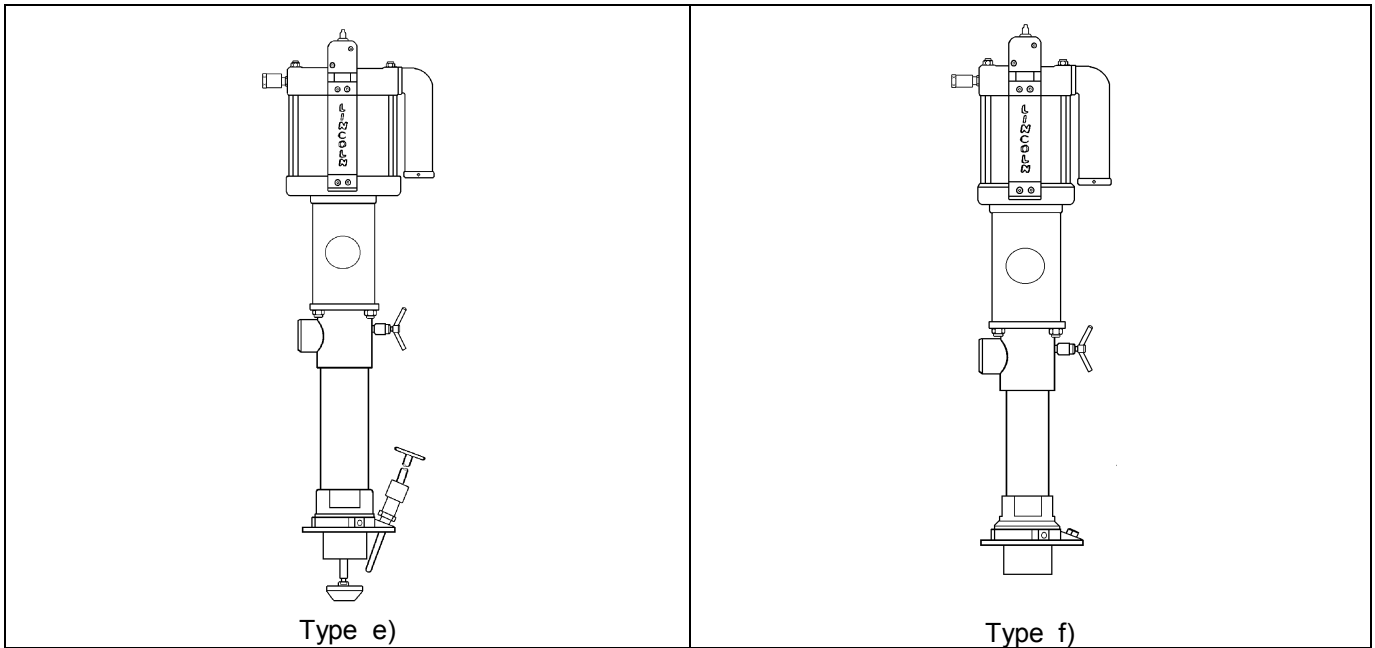


Catalog*Pile Driver III Pumps, air operated**- Pump Model Chart -*



Pump Model Chart

Combinations of Power Master III Airmotors & Pile Driver III Pump tubes

Airmotor dto. with <i>AirBrake</i>		Air cyl. 3" ~ 76 mm ^Ø		Air cyl. 4-1/4" ~ 108 mm ^Ø		Air cyl. 6" ~ 152 mm ^Ø		Air cyl. 8" ~ 203 mm ^Ø		Air cyl. 10" ~ 254 mm ^Ø		
		No. 84803 -		No. 84804 No. 94804		No. 84806 No. 94806		No. 84808 No. 94808		No. 86810 No. 94810		
Pump tube Part No. / (V _g / cycle)		①	Pump		Pump		Pump		Pump		Pump	
			◆	(i)	◆	(i)	◆	(i)	◆	(i)	◆	(i)
			Part No.		Part No.		Part No.		Part No.		Part No.	
84900	360 cm ³	e	2374	(3:1)	2367	(7:1)	2352	(15:1)	2325	(25:1)	2342	(42:1)
84901	278 cm ³	e	2372	(4:1)	2365	(10:1)	2350	(20:1)	2323	(35:1)	2355	(55:1)
84902	196 cm ³	e	2371	(6:1)	2364	(12:1)	2349	(25:1)	2322	(45:1)	2375	(75:1)
84921	721 cm ³	e	2318	(1,5:1)	2368	(3:1)	2353	(7:1)	2326	(13:1)	2320	(20:1)
84904	295 cm ³	f	2373	(4:1)	2366	(8:1)	2351	(18:1)	2324	(30:1)	2345	(45:1)
84922	754 cm ³	f	2329	(1,5:1)	2369	(3:1)	2354	(7:1)	2327	(13:1)	2321	(20:1)
84923	1393 cm ³	f	2341	(1:1)	2370	(1,5:1)	2356	(3:1)	2328	(6:1)	2319	(10:1)

(V_g / cycle) Output volume per pump cycle (Up- & down stroke). Pump cycles 70/min permitted.

(i) = Pump pressure ratio. The pumps can be operated at 2 to 7 bar air pressure.

Material outlet of all pump tube models: 1½" NPTF female thread.

① Pile Driver III Pump tube design:

- e) Pile Driver III, shovel foot design
- f) Pile Driver III, flat check foot valve design

◆ Part numbers of the pump models refer to combinations using the standard Power Master III Airmotor (*without AirBrake*). All pump models, except pumps with air cylinder 3" (~ 76 mm^Ø), are also available with *AirBrake* type airmotor.

Important:

Order pumps by indicating its components (airmotor & pump tube).

Numbers with suffix **-E** to airmotor model number include airmotor and cover panel kit #84723. Airmotor model numbers without this suffix include the airmotor only; in latter case, the cover must be added by the user.

Note:

The pumps are supplied in the two modules Airmotor & Pump tube which are to be assembled by the user. On special request, we assemble pumps prior to shipment at extra charge.

For specifications of the pumps, refer to technical data of the operating instructions of the relevant pump model.



Warning

Do not operate Airmotors without cover panel.