



Lumiglas VISULEX -Camera Type K06-Ex

Data sheet 07.71

• Camera with fixed lens type K06-Ex:

When this standard camera is being installed, the lens is focused on the object of surveillance (open spaces / outdoor facilities or, e. g., on boilers or stirring units in process engineering).

• Design and applications

- Pressure-resistant aluminium housing equipped with colour-CCD camera, 1/4" CCD sensor, 2.5 Lux light sensitivity; including 2-wire transmitter, electronic unit; stainless steel hinge as a mounting bracket
- Approved for Ex-zone 1 and 2 as well as zone 21 and 22
- Type of protection: IP 67
- Operating conditions: Ambient temperature +5° C to +40° C
- EC type examination certificates:
DMT 01 ATEX E 047
 II 2G EEx de II C T6/T4
 II 2D IP 67 T 80° C/T 130° C
- Ignition protection type: EEx de
- Explosion group: II C (covering all explosion groups including II A and II B)
- Temperature classes: up to T6

• Lens and viewing angle:

2.5...8.0 mm, 71.5°...25.4°
Minimum lens-to-object distance: 80 mm
(see order info on rear page)

• Electrical connection:

- Link-up is established via transmission cable to the **control unit** (camera rack and camera module, to be ordered separately). The control unit must be installed in a non-explosive area, e. g. in a control room, and should only be operated outside the explosion range.
A module for each camera is inserted into the camera rack.
In addition to single racks, we also offer racks that take modules for up to 6 cameras.
- Voltage: 24 V DC (supplied by the control unit)
- Power input: up to 20 W
- 2-wire transmission

• Transmission cable:

- 6-core cable (3 twisted pairs)
- Length: up to approx. 500 m (between Ex camera and control unit)
- Control lead 3 Px AWG 20C

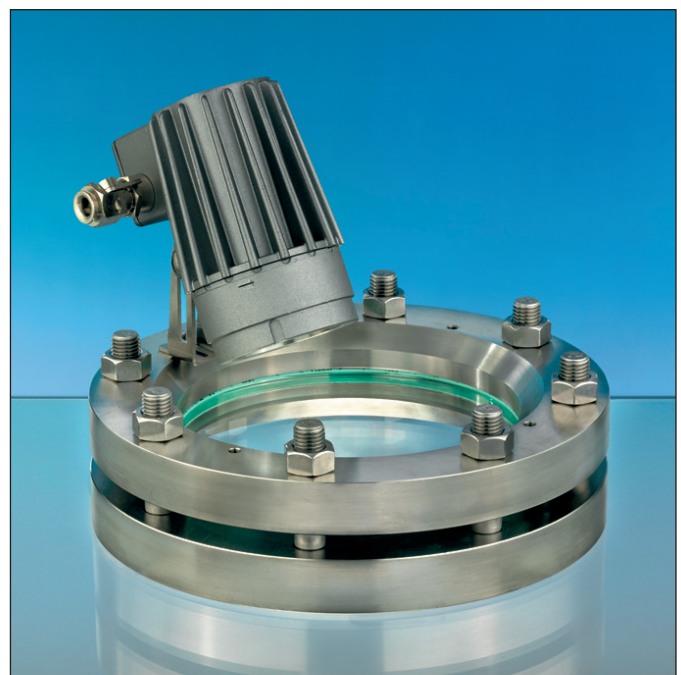
• Weight: 1.7 kg

• Installation:

- The camera is mounted on the cover flange of a round sight glass fitting (DIN 28120 or similar) using the stainless steel bracket included in the scope of supply (hinge in grade 1.4301). The installation method is the same as that implemented for internationally approved Lumiglas luminaires. If there is not sufficient natural light in the vessel, an extra appropriately dimensioned Lumiglas luminaire can be installed.
- A separate arrangement of lighting glass and camera glass is a further option to be considered. This depends on the engineering process and the size of the reactor as well as on the surface of the vessel, the medium in question, and the angle of incidence.
- Consistently uniform illumination is essential.



Lumiglas VISULEX Ex-camera with fixed lens type K06-Ex



K06-Ex, mounted on a flange



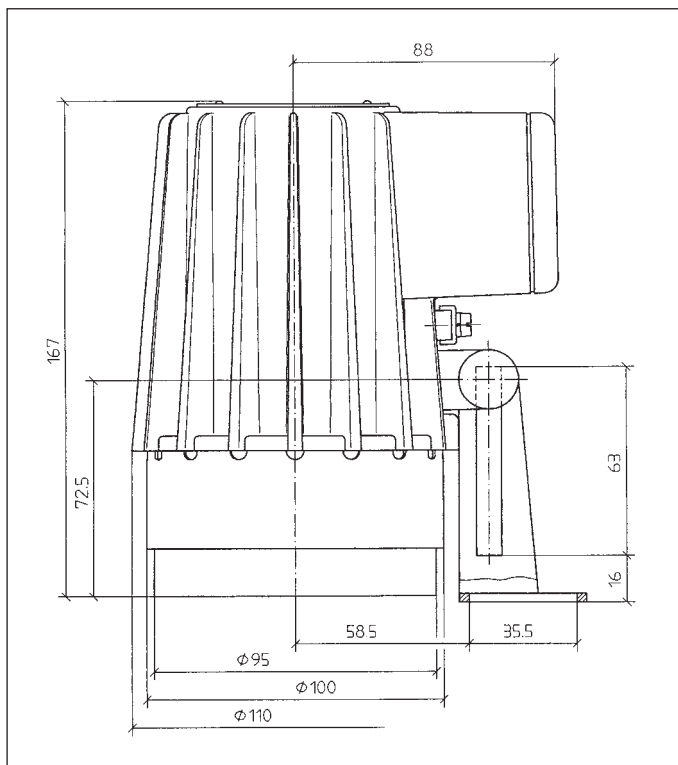
Single camera rack



6-camera rack

• Dimensions and technical data for Lumiglas VISULEX Ex-camera K06-Ex:

| Camera | PAL | NTSC |
|---|-------------------------|---|
| Camera standard | CCIR (Europa) | EIA (USA) |
| Image sensor | 1/4"-CCD | 1/4"-CCD |
| Pixels | approx. 440.000 | approx. 380.000 |
| Light sensitivity | 2 Lux | 2 Lux |
| Resolution | 460 lines (horizontal) | 470 lines (horizontal) |
| Electronic shutter speed | automatic, 1/1-1/10.000 | automatic, 1/1-1/10.000 |
| S/N ratio | >50 dB | >50 dB |
| Aperture control | automatic or manual | automatic or manual |
| Colour system | PAL | NTSC |
| Contol unit (rack with modules) | | |
| | Single-camera rack | 6-camera-rack |
| Power input | max. 15 W | Base load 5 W; the consumption increases by 15 W per module (max. 95 W) |
| Fuse protection (due to starting current) | 1.6 A | 6.3 A |
| Dimensions mm (H x W x D) | 160 x 180 x 300 | 160 x 470 x 300 |



• Order info:

- e. g. Lumiglas VISULEX Ex-camera K06-Ex
 - Lens 2.5 mm (see table)
 - PAL (please specify whether PAL or NTSC)
 - 370 m transmission cable (please state length in full metres)
 - Rack for 6 cameras, Part No. 1590.015.00 (see table)
 - Camera module, Part No. 1123.009.00 (see table)
- If supplementary cameras are to be added at a later date, we recommend the 6-camera rack.

| Item | Lens | Viewing angle | Part No. |
|------|--------|---------------|-------------|
| 1 | 2,5 mm | 71,5° | 2348.012.00 |
| 2 | 2,9 mm | 63,0° | 2348.013.00 |
| 3 | 3,8 mm | 51,0° | 2348.014.00 |
| 4 | 6,0 mm | 33,4° | 2348.015.00 |
| 5 | 8,0 mm | 25,4° | 2348.016.00 |

| Item | Description | Part No. |
|------|--------------------|-------------|
| 1 | Single-camera rack | 1590.032.00 |
| 2 | 6-camera rack | 1590.015.00 |
| 3 | Camera module | 1123.009.00 |

All dimensions in mm unless stated otherwise. Subject to change without prior notice.
WW 03.08 3755.376