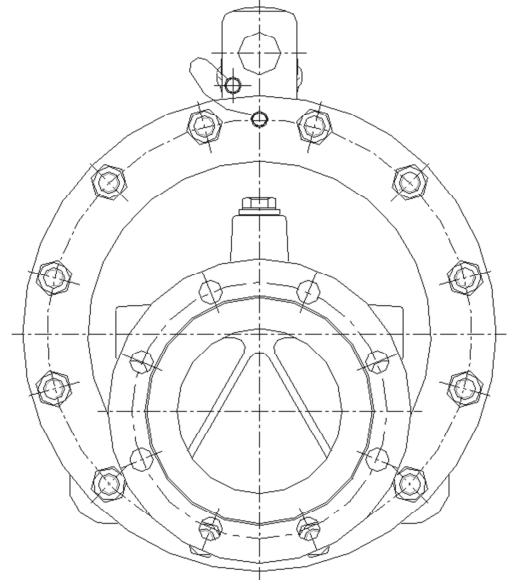
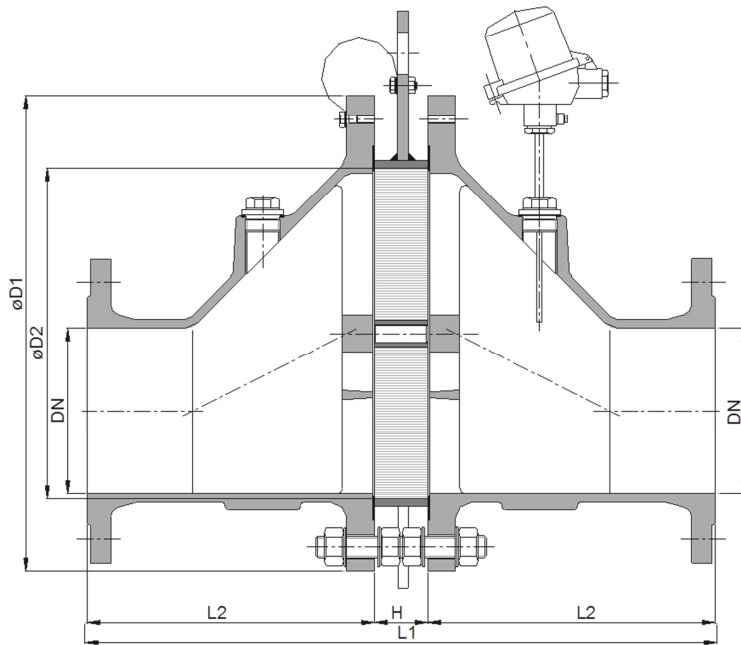
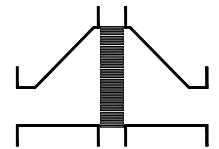


# Bi-directional deflagration flame arrester

KITO® EFA-Def0-IIA-.../...-...-X10

KITO® EFA-Def0-IIA-.../...-...-X10-T (-TT)



Type examination certificate to EN ISO 16852

CE -designation in accordance to ATEX-Guideline 94/9/EC

NG	DN	ANSI	D1	D2	L1	H	L2	p <sub>max.</sub>	kg*
65	25 PN 40	1"	155	70	290	50	120	1.5	11
	32 PN 40	1 1/4"							12
100	40 PN 40	1 1/2"	220	106	340	50	145	1.2	24
	50 PN 16	2"							26.5
150	50 PN 16	2"	285	159	400	50	175	1.2	26
	65 PN 16	2 1/2"							42
	80 PN 16	3"							44
200	80 PN 16	3"	340	206	450	50	200	1.2	
	100 PN 16	4"							
300	100 PN 16	4"	445	308	590	50	270	1.2	
	125 PN 16	5"							
	150 PN 16	6"							110
400	200 PN 10	6"	565	388	672	42	315	1.2	153
	250 PN 10	8"							172
500	250 PN 10	8"	670	485	802	42	380	1.2	243
	300 PN 10	10"							253
600	350 PN 10	10"	780	584	942	42	450	1.2	344
	400 PN 10	12"							360

Dimensions in mm

\* weight refers to the standard design



Design subject to change

performance curves: H 0.36 N

### Standard design

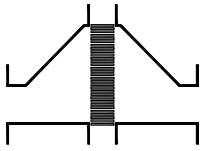
- housing : cast steel 1.0619, stainless cast steel 1.4408
- gasket : HD 3822, PTFE
- KITO® flame arrester element : completely interchangeable
- KITO casing : galvanized steel, stainless steel mat. no. 1.4571, 1.4581
- KITO grid : stainless steel mat. no. 1.4310, 1.4571,
- bolts/nuts : galvanized steel, SS
- temperature sensor : PT 100 (option); connection 3/8"
- flange connection : DIN EN 1092-1 form B1, ANSI 150 lbs. RF

### Application

For installation into pipes to the protection of vessels and components against deflagration of flammable liquids and gases. Approved for all substances of explosion groups IIA1 to IIA with a maximum experimental safe gap (MESG) > 0.9 mm. Bi-directionally working in pipes, whereby an operating pressure of 1.5 bar abs. up to NG 65, p<sub>max</sub> = 1.2 bar abs. from NG 100 and an operating temperature of 100°C must not be exceeded. The distance between a potential ignition source and the flame arrester must not exceed 50 times the inner pipe diameter. The installation of the deflagration flame arrester into horizontal and vertical pipes is permissible. When equipped with one or two temperature sensors, the devices are protected under atmospheric conditions against a short time burning by a burning time t<sub>BT</sub> = 1,0 min. If only one temperature sensor, then it is to be placed on the device side where a burning could be expected.

Example to order:

**KITO® EFA-Def0-IIA-100/40-1.2-X10-T**  
(design with thermo couple element)

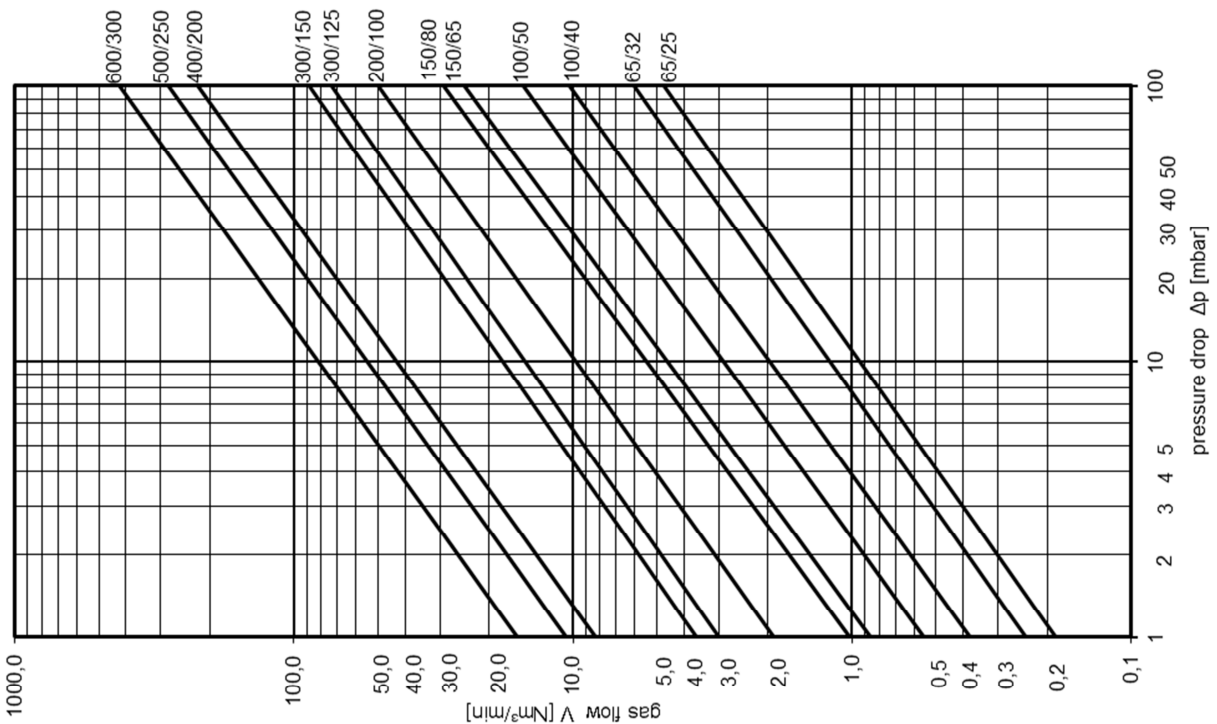
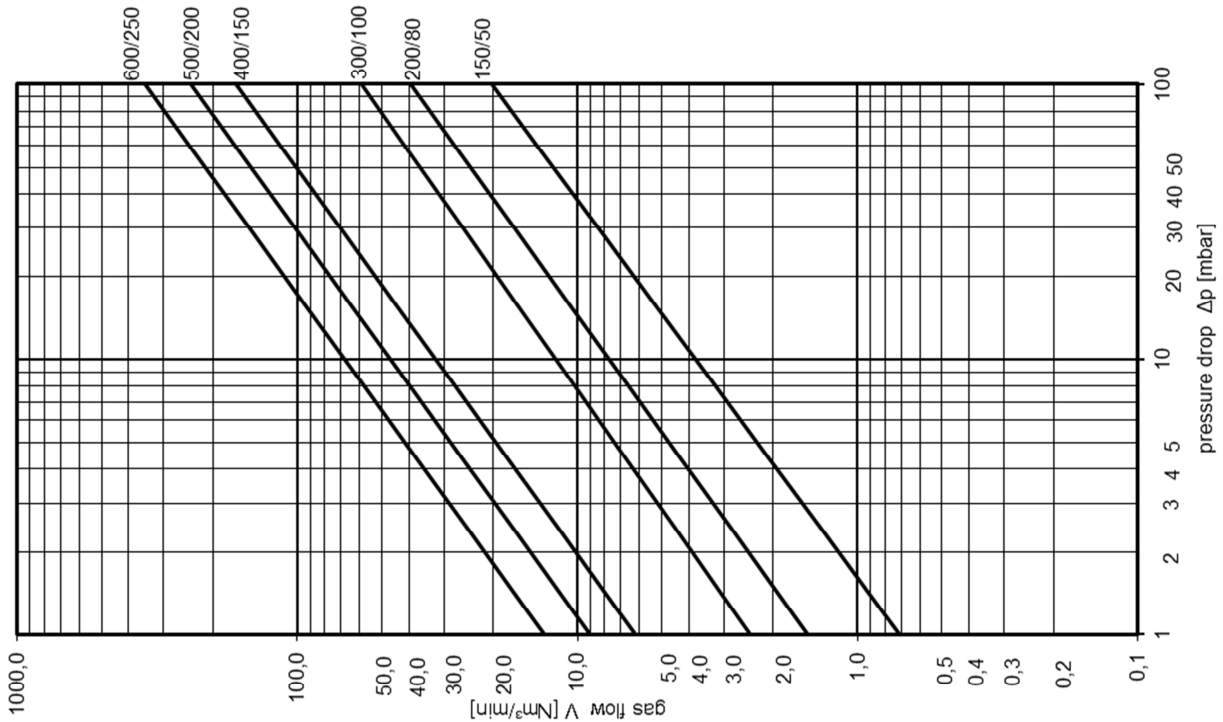


**Bi-directional deflagration flame arrester**  
**KITO® EFA-Def0-IIA-.../...-...-X10**  
**KITO® EFA-Def0-IIA-.../...-...-X10-T (-TT)**  
**H 36 N**

The flow capacity  $V$  refers to a density of air with  $\rho = 1.29 \text{ kg/m}^3$  at  $T = 273 \text{ K}$  and a pressure of  $p = 1.013 \text{ mbar}$

The flow capacity for gases with different densities can be calculated sufficiently accurate by the following approximation equation:

$$\dot{V} = \dot{V}_b \cdot \sqrt{\frac{\rho_b}{1.29}} \quad \text{or} \quad \dot{V}_b = \dot{V} \cdot \sqrt{\frac{1.29}{\rho_b}}$$



Design subject to change