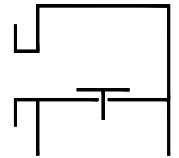
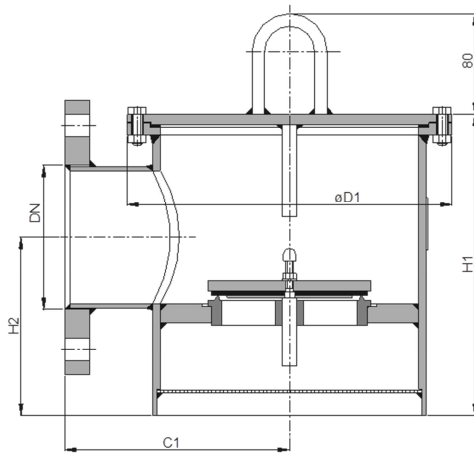


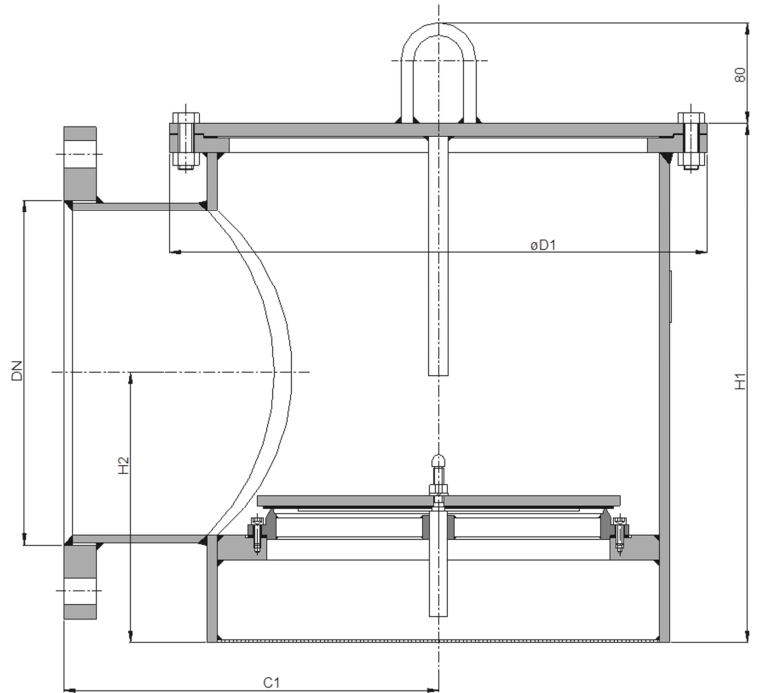
Vacuum Relief Valve KITO® VS/O



design DN 50-200



design DN 250-400



Without EC certificate and CE -designation

DIN	DN	ANSI	C1	D1	H1	H2	kg*	setting (mbar)	
								min.	max.
50 PN 16	2"		120	170	206	108	10	1.4	130
80 PN 16	3"		144	200	232	131	13	1.6	143
100 PN 16	4"		180	260	262	152	21	1.6	205
125 PN 16	5"		195	285	296	173	26	1.4	185
150 PN 16	6"		220	320	337	200	33	1.7	185
200 PN 10	8"		255	380	404	223	55	2.0	180
250 PN 10	10"		300	430	446	248	72	2.0	205
300 PN 10	12"		345	520	559	330	125	2.1	237
350 PN 10	14"		390	612	605	348	166	2.0	260
400 PN 10	16"		450	685	706	420	216	2.2	288

Dimensions in mm

* Indicated weights are understood without weight load and refer to the standard design.

standard valve setting 7-30 mbar -different settings against additional price-

Design subject to change

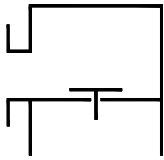
performance curves: D 0.12 N

Standard design

housing / cover : steel, stainless steel mat. no. 1.4571
 valve seat / spindle : stainless steel mat. no. 1.4571
 valve face seal : NBR, Viton, PTFE
 protective screen : stainless steel mat. no. 1.4301, 1.4571
 flange connection : DIN EN 1092-1 form A
 ANSI 150 lbs. RF

Application

As end-of-line armatures, for venting apertures on tank installations for ventilation and to prevent inadmissible vacuum. Usually mounted on top of a tank, if applicable in conjunction with a pressure relief valve on a common connecting pipe. The valve is not explosion-proof, thus cannot be used for flammable media.

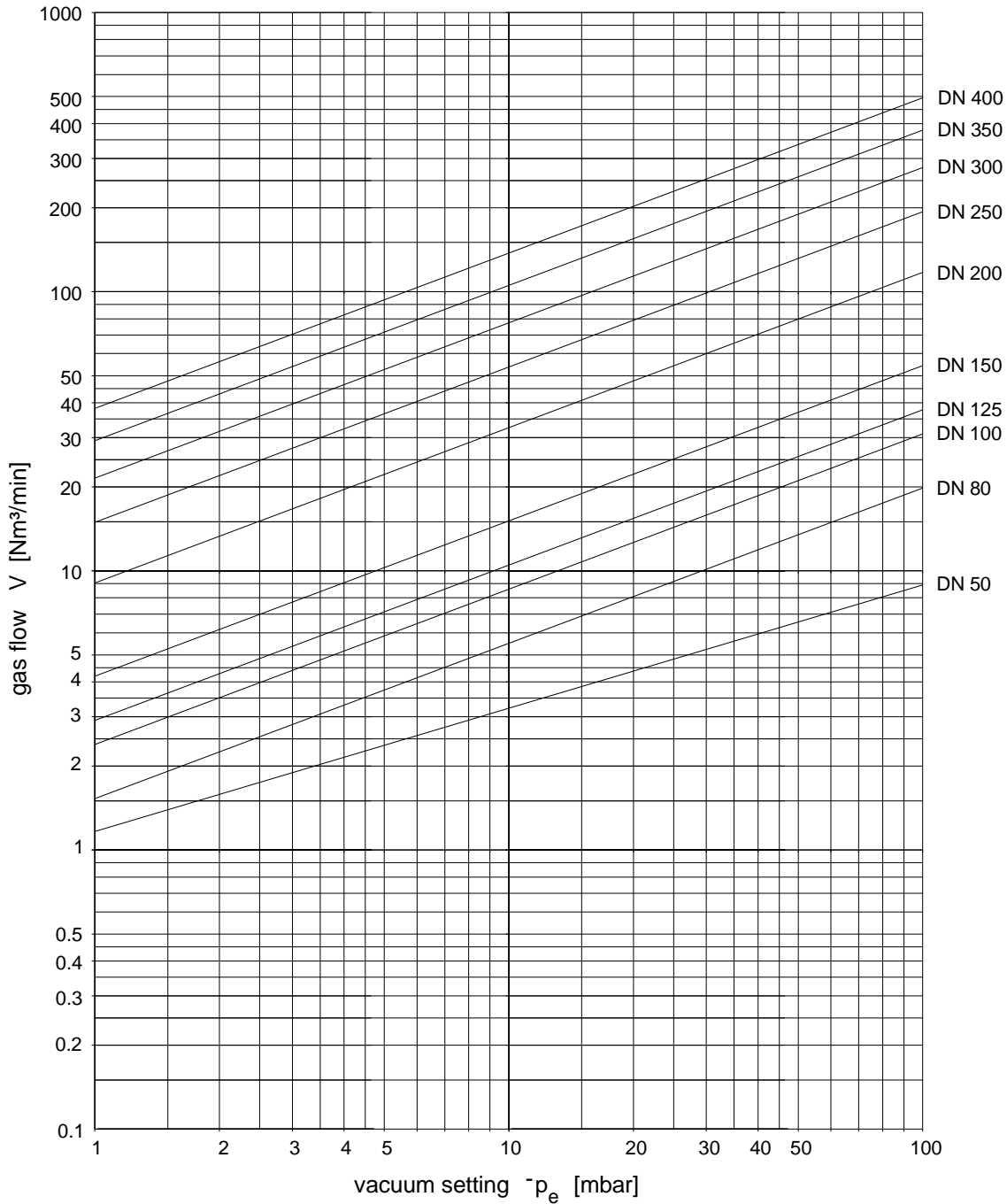


Vacuum Relief Valve
KITO® VS/O
D 12 N

The flow capacity V refers to a density of air with $\rho = 1.29 \text{ kg/m}^3$.
 The flow capacity for gases with different densities can be calculated sufficiently accurate by the following approximation equation:

$$\dot{V}_{40\%} = \dot{V}_b \cdot \sqrt{\frac{\rho_b}{1.29}} \quad \text{or} \quad \dot{V}_b = \dot{V}_{40\%} \cdot \sqrt{\frac{1.29}{\rho_b}}$$

Indicated flow rates will be reached by an accumulation of 40% above valve's setting.



Design subject to change